



GAS RANGES WITH GRIDDLE

Model	Product ID	Ovens	Burners	Griddle
K2G24	919587	1	2	24"

STANDARD FEATURES

Top Burner

- Cast iron burners each giving off 30,000 BTU/hr
- 12" x 12" cast iron top grates are removable for easy cleaning
- Each burner has an individual standing pilot light
- Push-in chrome knob w/ efficient Hi-Low burner system
- Removable crumb tray

Griddle

- 40,000 BTU/hr
- 3/4" thick griddle plate
- 4" welded griddle side shields
- Stainless steel U burner
- Heat every 6" — valve control every 12"
- Manual controls

Oven

- 30,000 BTU/hr total output
- Flame failure safety device
- Adjustable thermostat from 250°F to 550°F
- Steel liner on door & sides w/ a nano porcelain oven liner
- (2) removable & adjustable oven racks per oven
- Cool to touch stainless steel oven door handles

Construction

- Stainless steel front, back, riser & shelf
- Spring loaded door w/ cool to touch stainless steel oven door handle
- 6" stainless steel adjustable legs
- 3/4" NPT rear gas connection

Optional Accessory

- 4" swivel casters



K2G24
Gas Regulator Included

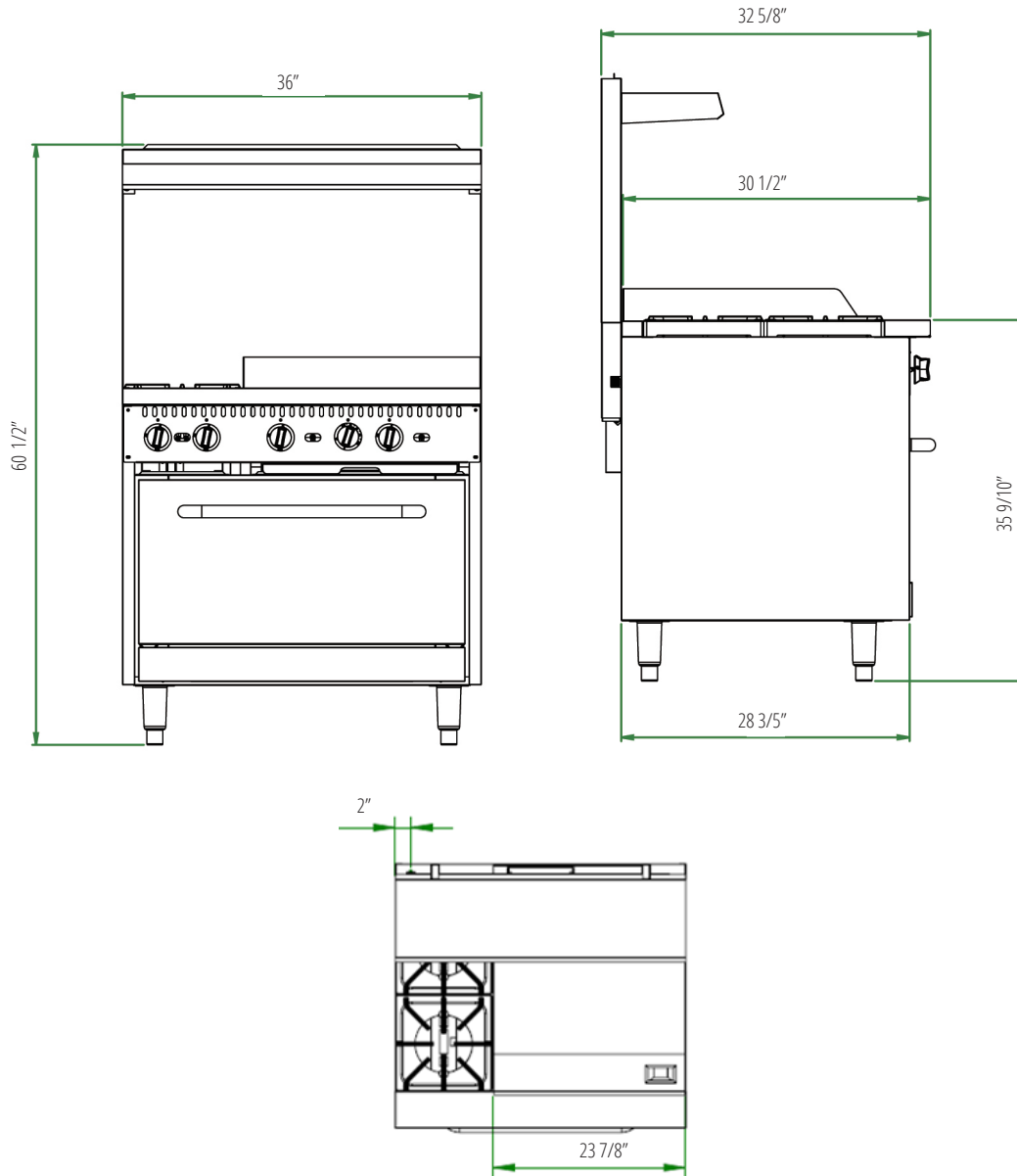
WARRANTY

Kintera Gas Cooking Equipment is warranted to be free from defects in material and workmanship under normal use and service for a period of 1 year from the date of original purchase.



IMPORTANT INFORMATION

- A pressure regulator is provided with this unit.
Natural Gas 4" (102 mm) W.C.
Propane Gas 10" (279 mm) W.C.
- Units supplied with LP conversion kit.
- 3/4" NPT (19mm) rear gas connection.
36" range



Model	Product ID	External Dimensions (in)			Internal Oven Dimensions (in)			BTU's (per open burner)	BTU's (per oven)	BTU's (griddle burner)	Total BTU's	Crated Weight (lbs)
		W	D	H	W	D	H					
K2G24	919587	36	32 5/8	35 9/10 + 24 3/5	26 7/8	25 4/5	13 4/5	30,000 x 2	30,000 x 1	20,000 x 1	130,000	507