



ECONOMY EQUIPMENT STAND - S/S

STANDARD FEATURES

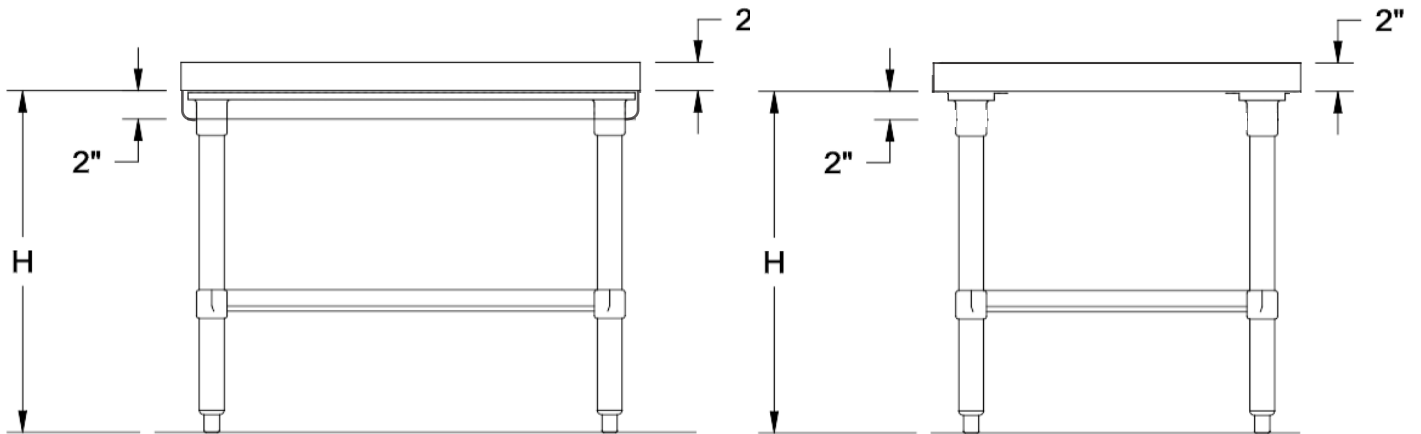
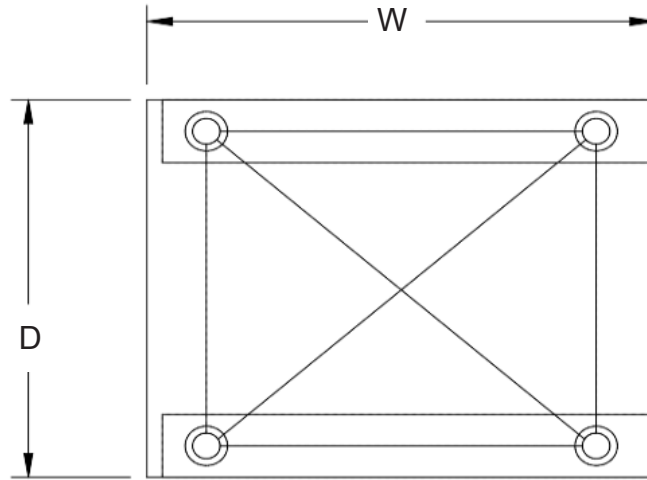
- **Material:** 18 Gauge 400 Series Stainless Steel
- **Turn Up:** 2"
- **Undershelf:** Galvanized Steel
- **Legs:** 1 5/8" Galvanized Steel
- **Feet:** Polymer Bullet Feet (Adjustable)
- **NSF Certified:** Yes

OPTIONS

- Casters



KES3024G



Model	Product ID	Overall Size				
		W	D	H	Turn Up	Weight
KES3024G	946602	24"	30"	24"	2"	38 lbs
KES3036G	946603	36"	30"	24"	2"	49 lbs
KES3048G	946604	48"	30"	24"	2"	62 lbs
KES3060G	946605	60"	30"	24"	2"	69 lbs
KES3072G	946606	72"	30"	24"	2"	94 lbs