



### COUNTERTOP GAS GRIDDLES Thermostatic Control

Model	Product ID	Controls	Burners
<b>KGR48T</b>	919577	Thermostatic	4

#### STANDARD FEATURES

- High performance & efficient 30,000 BTU stainless steel U style burners provide flame every 6" on the griddle surface
- Stainless steel front & sides
- 3/4" highly polished griddle plate provides even heat distribution
- 4" high backsplash & sidesplash fully welded to the griddle
- Double wall construction w/ insulated side panels
- Extended cool to touch front edge
- Thermostatic griddle with Piezo ignition available w/ 200°F to 450°F temperature range
- Wide 3 1/4" front grease trough
- Removable, easy to clean stainless grease catch pan
- Large plastic temperature knobs w/ set screws
- Front-access pilots
- Adjustable non-skid stainless steel legs

#### WARRANTY

Kintera Gas Cooking Equipment is warranted to be free from defects in material and workmanship under normal use and service for a period of 1 year from the date of original purchase.



**KGR48T**  
Gas Regulator Included

#### SPECIFICATIONS

The efficient 3/4" griddle plate offers the thickness of even heat distribution along with Kintera's "quick on" that turns the burners on when the probes sense temperature drop. This gives you important quick temperature recovery when cooking. The result is faster cook times, greater moisture retention and higher product yield so you serve a higher quality, moist product.

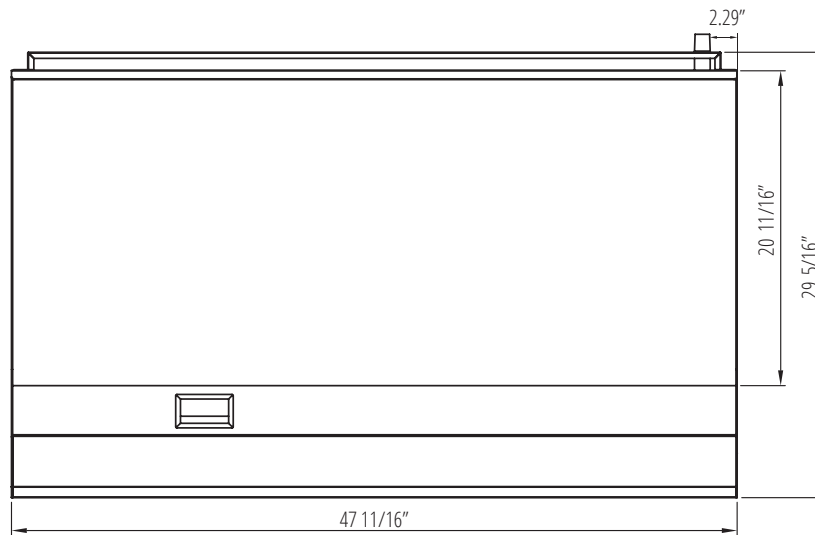
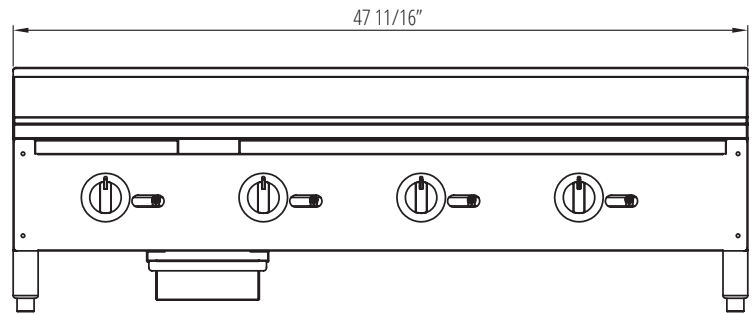
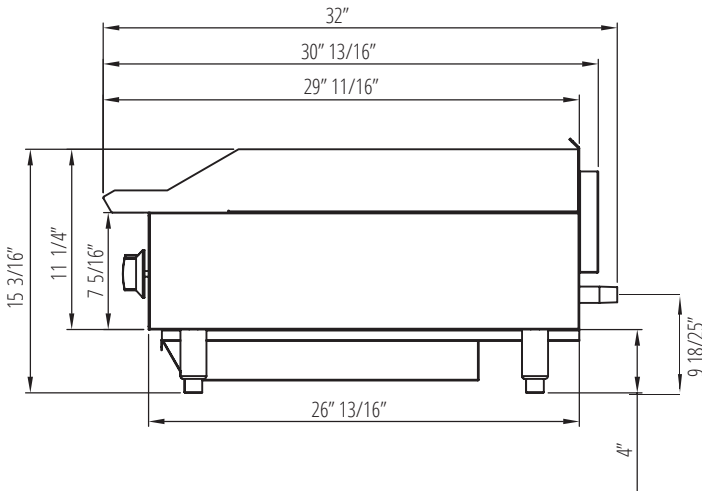
Units are shipped for natural gas, but are easily converted to LP (propane) gas with the LP conversion kit that is included.

All Griddles carry ETL gas and sanitation approvals that pass US gas and sanitation requirements for use in restaurants.



### IMPORTANT INFORMATION

- A pressure regulator is provided with this unit.
  - Natural Gas 4" (102 mm) W.C.
  - Propane Gas 10" (279 mm) W.C.
- All equipment is supplied for Natural Gas, an LP conversion kit is also provided.
- 3/4" NPT (19mm) rear gas connection.



Model	Product ID	Burners	Cooking Area (in)		Plate Thickness	Dimensions (in)			BTU's (per burner)	Total BTU's	Crated Weight (lbs)
			D	W		W	D	H			
<b>KGR48T</b>	919577	4	20 11/16	47 11/16	3/4"	47 11/16	32	15 3/16	30,000	120,000	352