



STOCK POT GAS RANGES

Model	Product ID	Burners
KSP1	919589	1 (2 valves)

STANDARD FEATURES

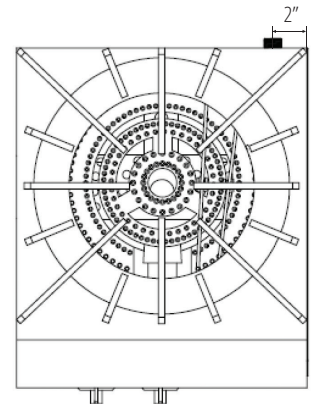
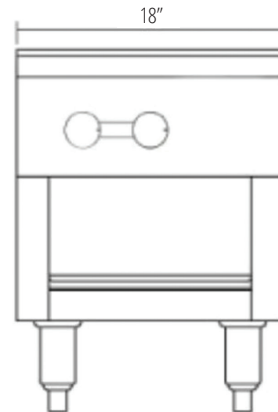
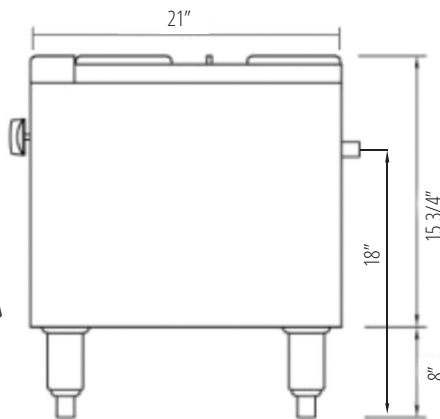
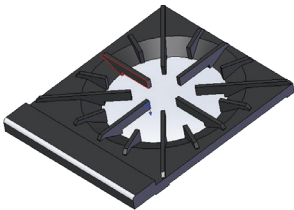
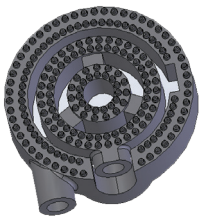
- Stainless steel construction
- Heavy duty 1 7/8" thick removable cast iron top grate
- 3-ring cast iron burner
- Dual control valves
- (2) standing pilot lights for instant ignition
- 8" adjustable legs
- Removable crumb tray for easy cleaning
- 3/4" rear NPT gas inlet, pressure regulator supplied
- Units supplied with LP conversion kits



KSP1
Gas Regulator Included

WARRANTY

Kintera Gas Cooking Equipment is warranted to be free from defects in material and workmanship under normal use and service for a period of 1 year from the date of original purchase.



Model	Product ID	Burners	Width	Depth	Working Height	Overall Height	Total BTU's		Crated Weight (lbs)
							Natural	LP	
KSP1	919589	1 (2 valves)	18"	21"	15 3/4"	23 3/4"	80,000	50,000	145