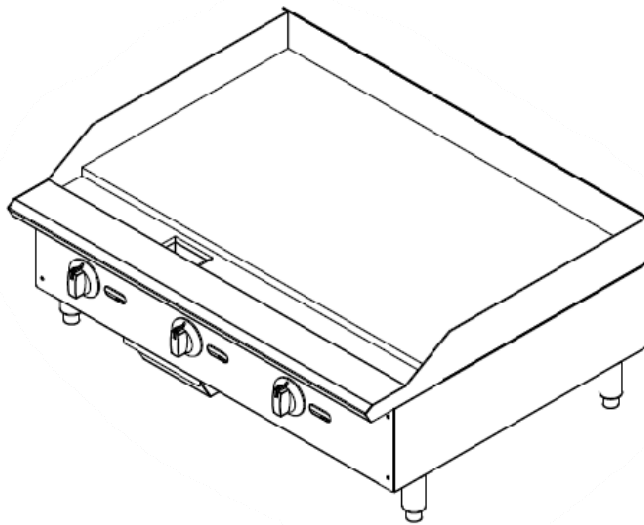




INSTALLATION & OPERATION MANUAL

GAS COUNTER SERIES

GRIDDLES



⚠ WARNING

This manual contains important information regarding your Kintera unit. Please read the manual thoroughly prior to equipment set-up, and operation maintenance. Failure to comply with regular maintenance guidelines out-lined in the manual may void the warranty. Improper installation, adjustment, alteration, service or maintenance can cause property damage, injury or death. Read this manual thoroughly before installing or servicing this equipment.

MUST READ!

Kintera Equipment, LLC

PO Box 1186

Mansfield MA 02048




FOR WARRANTY SERVICE CALL 866-909-2855

Register your product warranty online at: www.entree.biz

SAFETY PRECAUTIONS


Before installing and operating this equipment, be sure everyone involved in its operation is fully trained and aware of precautions. Accidents and problems can be caused by failure to follow fundamental rules and precautions.

The following symbols, found throughout this manual, alert you to potentially dangerous conditions to the operator, service personnel, or to the equipment.

 WARNING	This symbol refers to a potential hazard or unsafe practice that could result in injury or death.
 CAUTION	This symbol refers to a potential hazard or unsafe practice that could result in injury, product damage, or property damage.
 NOTICE	This symbol refers to information that needs special attention or must be fully understood, even though not dangerous.


FOR YOUR SAFETY TO AVOID SERIOUS PERSONAL INJURY AND PROPERTY DAMAGE:

- **ALWAYS** install equipment in a work area with adequate light and space.
- **ONLY** operate on a solid, level, nonskid surface that is nonflammable and away from sinks and water hazards.
- **NEVER** bypass, alter, or modify this equipment in any way from its original condition. Doing so may create hazards and will void warranty.

 **WARNING**

FIRE HAZARD FOR YOUR SAFETY

Do not store or use gasoline or other flammable vapors and liquids in the vicinity of this or any other appliance.
 Keep area around appliances free and clear of combustibles.
 Purchaser of equipment must post in a prominent location, detailed instructions to be followed in the event the operator smells gas. Obtain the instructions from the local gas supplier

 **NOTICE**

Kintera Griddles are intended for commercial use only. Not for household use.
 Warranty will be void if service work is performed by other than an authorized technician, or if other than genuine Kintera replacement parts are installed.
 Be sure this Operator's/Installer's Manual and important papers are given to the proper authority to retain for future reference.

**For warranty Service on your Kintera Gas Counter Griddle call 866-909-2855
 Be sure to have your model and serial number when calling.**

Congratulations! You have purchased one of the finest pieces of commercial cooking equipment on the market. You will find that your new equipment, like all Kintera equipment, has been designed and manufactured to meet the toughest standards in the industry. Each piece of Kintera equipment is carefully engineered and designs are verified through laboratory tests and field installations. With proper care and field maintenance, you will experience years of reliable, trouble-free operation. For best results, read this manual carefully.

Table of Contents

Specifications-----	Page 3
Installation-----	Page 5
Operation-----	Page 9
Seasoning-----	Page 10
Cleaning-----	Page 10
Service/Trouble Shooting-----	Page 12
Parts-----	Page 13
Warranty-----	Page 14

Read these instructions carefully before attempting installation. Installation and initial startup should be performed by a qualified installer. Unless the installation instructions for this product are followed by a qualified service technician (a person experienced in and knowledgeable with the installation of commercial gas and/or electric cooking equipment) then the terms and conditions on the Manufacturer's Limited Warranty will be rendered void and no warranty of any kind shall apply.

SPECIFICATIONS

GAS and GAS PRESSURE

⚠ CAUTION This unit is factory supplied in Natural Gas. This unit can be converted to L.P. gas by a licensed and certified gas technician. Documentation may be necessary for warranty issues. Failure to comply with this instruction will void warranty. **See the included L.P. conversion kit for gas conversion parts and instructions.**

⚠ WARNING Unit installation must conform to the National Fuel Gas Code, ANSI Z223.1/NFPA 54, the National Gas Installation Code, CSA-B149.1, or the Propane Installation Code, CSA-B149.2 as applicable and in accordance with local codes.

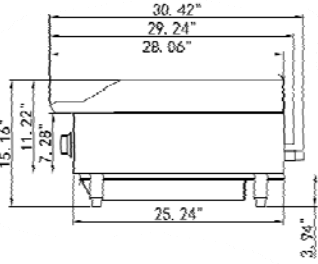
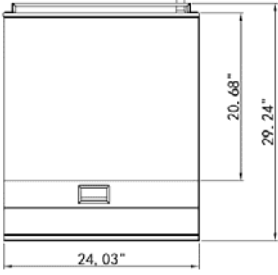
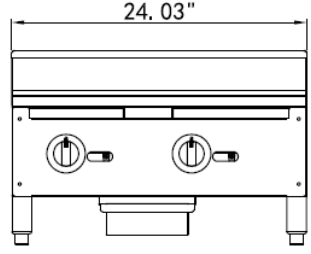
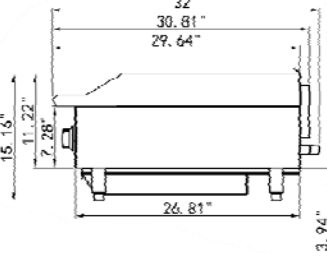
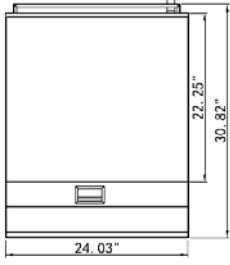
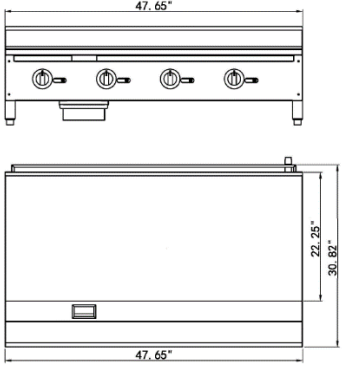
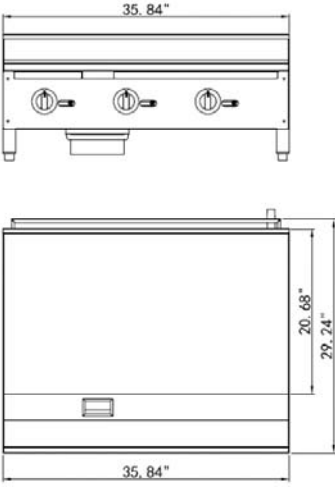
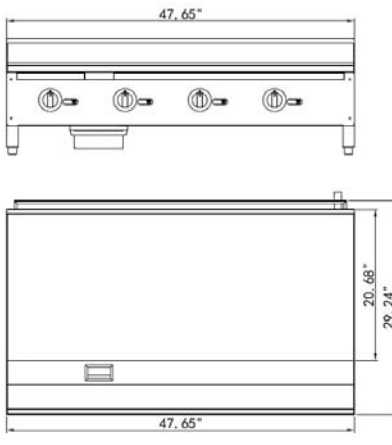
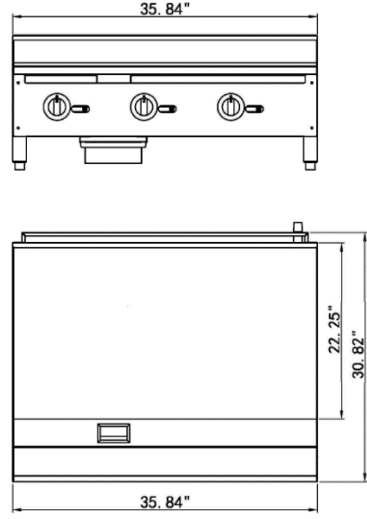
⚠ WARNING The appliance and its individual shutoff valve (to be supplied by user) must be disconnected from the gas supply piping system during any pressure testing of that system at test pressures in excess of 1/2" P.S.I. (3.45kPa).

These models are designed, built, and sold for commercial use only.

Instructions must be posted in a prominent location. All safety precautions must be taken in the event the user smells gas. Safety information can be obtained from your local gas supplier.



SPECIFICATIONS(Continued)

 <p>Use for all Manual Griddles</p>	 <p>24" Manual Griddle Top</p>	 <p>24" Manual & Thermostat Griddle Front</p>
 <p>Use for a Thermostat Griddles</p>	 <p>24" Thermostat Griddle Top</p>	 <p>48" Thermostat Griddle</p>
 <p>36" Manual Griddle</p>	 <p>48" Manual Griddle</p>	 <p>36" Thermostat Griddle</p>

Model	Description	BTU.hr	Number of Burners	Gas Type
KGR24M KGR24T	Gas Griddle 24"	60,000	2	Natural Gas or Propane*
KGR36M KGR36T	Gas Griddle 36"	90,000	3	Natural Gas or Propane*
KGR48M KGR48T	Gas Griddle 48"	120,000	4	Natural Gas or Propane*

*Shipped setup for Natural Gas and includes a kit for conversion to Propane Gas (T) denotes Thermostat Control

UNPACKING

Unpack the Griddle immediately after receipt. Remove the Gas Griddle from the crate; remove all packaging on and surrounding the unit and be certain to remove all protective plastics and residues from all surfaces. Make sure that all parts provided including the L.P. gas conversion kit are located. Equipment must have the legs properly installed before use. Before using this equipment it must be cleaned and dried thoroughly.

INSTALLATION

NOTE: it is vital that the purchaser of this equipment post in a prominent location instructions to be followed in the event that the user smells gas. This information shall be obtained by consulting the local gas supplier. The purchaser of this equipment must post in a prominent location.

1. Read this manual thoroughly before installation and operation. DO NOT proceed with installation and operation if you have any questions or do not understand anything in this manual. Contact your local representative or Kintera first.
2. Select a location for the Griddle that has a level, solid, nonskid surface that is nonflammable and away from water hazards or sinks, and is in a well-lighted work area away from children and visitors.
3. This equipment must be installed under a proper ventilation as required by local code.
***NOTICE** Local codes regarding installation and ventilation vary greatly by area. The National Fire Protection Association states in its NFPA 96 latest edition (see NFPA page at the beginning of this manual) that local codes are “authority having jurisdiction” when it comes to requirements for installation of equipment. Therefore, installation should comply with all local codes.
4. Screw legs into (A) the permanently fastened nuts on the four corners of the unit and tighten by hand. Legs must be installed to adequately provide proper ventilation to the unit.
5. Level unit by adjusting the four feet and tighten securely. The adjustable feet have an adjustment of one inch. Do not slide unit with legs mounted. Lift if necessary to move unit.
6. The supplied gas pressure regulator is factory set at 4” Natural Gas W.C. or 10” Propane Gas.
7. THESE UNITS ARE SUITABLE FOR INSTALLATION ON NON-COMBUSTIBLE SURFACE ONLY. Noncombustible clearances: 6” sides (152 mm), 6” rear (152 mm), 4” floor (102 mm).
8. Do not obstruct the flow of combustion and ventilation air under the unit by the legs or behind the unit by the flue. Do not place objects between the bottom of the unit and the counter top.
9. There must be adequate clearance for removal of the front panel. All major parts except the burners are removable through the front if the gas is disconnected.
10. It may be necessary to adjust the balance of gas volume and air supply to each burner. This must be done by and authorized service technician.
11. Pipe threading compound must be resistant to the action of liquefied petroleum gas. DO NOT USE TEFLON TAPE.

⚠WARNING DO NOT use an open flame to check for leaks. Check all gas piping for leaks with a soap and water solution before operating the unit.

The installation of this appliance must conform to local codes, or in the absence of local codes, the National Fuel Gas Code, ANSI Z223.1/NFPA 54, or the Natural Gas and Propane Installation Code, CSA B149.1, as applicable.

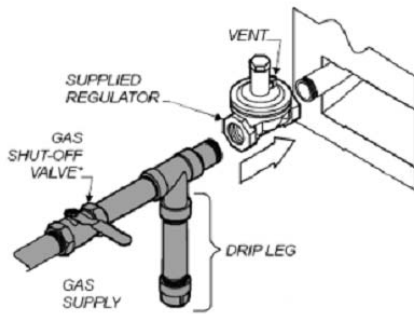
- The appliance and its individual shut off valve must be disconnected from the gas supply piping system during any pressure testing of that system at test pressures in excess of ½ PSI (3.5kPa).
- The appliance must be isolated from the gas supply piping system by closing its individual manual shut off valve during any pressure testing of the gas supply piping system at test pressures equal to less than ½ PSI (3.5kPa).

Clearance and positioning around the appliance: This appliance must be installed adjacent to non-combustible surfaces only with a minimum spacing of six (6") inches from all sides. This appliance must be a minimum distance of six (6") inches from another appliance. The appliance must have the supplied four (4") inch legs installed and be placed on a non-combustible surface.

Air supply and ventilation: The area in front and around the appliances must be kept clear to avoid any obstruction of the flow of combustion and ventilation air. Adequate clearance must be maintained at all times in front and at the sides of the appliance for servicing and proper ventilation.

Pressure Regulator: All commercial cooking equipment must have a pressure regulator on the incoming service line for safe and efficient operation. The regulator provided for this appliance is adaptable for both Natural Gas and Liquefied Propane (LP) Gas. A conversion kit with separate instructions is included explaining this procedure in detail.

Regulator information: 3/4" NPT (National Pipe Thread) inlet and outlet; factory adjusted for four (4") inch Water Column (WC) Natural Gas standard and may be converted by qualified personnel to be used for Propane at ten (10") Water Column pressure. Prior to connecting the regulator, check the incoming line pressure. The regulator can only withstand a maximum pressure of 1/2 PSI (14" WC). If the line pressure is beyond this limit, a step down regulator before the regulator provided will be required. The arrow forged into the bottom of the regulator body shows gas flow direction, and should point downstream to the appliance.



Connection diagram

Gas Conversion: Conversion from Natural Gas to Liquefied Propane (LP) or vice versa may only be performed by the factory or its authorized service agent. In the case of troubleshooting, ensure that the correct orifice sizes of the spuds have been provided.

Natural Gas Orifice
 #36dms(Thermostatic)/#37 dms(Manual)
 Liquefied Propane
 (LP) Orifice #51 dms(Both Thermostatic and Manual)

NOTE: The orifice size is marked on the spud.

Gas Connection: The appliance comes fitted with a 3/4" NPT (National Pipe Thread) male adapter for connection to the pressure regulator.

Maintenance: A qualified service company should check the unit for safe and efficient operation on an annual basis. Contact the factory representative or local service company to perform maintenance and repairs.

Gas Piping: Gas piping shall be of such size and so installed as to provide a supply of gas sufficient to meet the full gas input of the appliance. If the appliance is to be connected to existing piping, it shall be checked to determine if it has adequate capacity. Joint compound (pipe dope) shall be used sparingly and only on the male threads of the pipe joints. Such compounds must be resistant to the action of Liquefied Propane (LP) gases.

CAUTION Any loose dirt or metal particles, which are allowed to enter the gas lines on this appliance, will damage the valve and affect its operation. When installing this appliance, all pipe and fittings must be free from any internal contaminants. It is recommended that a "drip leg" be installed in-line before the regulator.

Manual Shut Off Valve: A manual shut off valve should be installed upstream from the manifold, within four (4) feet, (1.2M) of the appliance and in a position where it can be reached in the event of an emergency.

Checking For Gas Leaks: Using a gas leak detector or a soapy water solution is recommended for locating gas leaks. Matches, candle flame, or other sources of ignition shall not be used for this purpose. Check entire piping system for leaks.

Exhaust Canopy: Cooking appliances inherently create a good deal of heat and smoke and should be installed under an efficient exhaust hood with flame proof filters. A vertical distance of not less than four (4) feet shall be provided between the top of the appliance and filters or any other combustible material.

⚠️WARNING FIRE DEATH HAZARD If you smell gas follow the instruction provided by the gas supplier. Do not touch any electrical switch; do not try to light the burner; do not use a telephone within close proximity.

Lighting the Pilot: The manifold units are equipped with a standing pilots and each should be lit immediately after the gas is supplied to the appliance.

1. Before attempting to light pilots, turn off the main gas valve to the appliance and wait five (5) minutes to clear the gas.
2. Turn off all gas control knobs (E). See figure 1.
3. Turn on main gas valve and light all pilots.
4. The pilot burner must be lit at the end of the tube. Hold an ignition source through the pilot light hole (D) in the front panel at the pilot tube. When the flame is established remove ignition source.
5. To shut down the appliance, turn off the main gas valve to the appliance.

NOTE: Smoke appearing on initial use of the appliance is normal. This is a result of the rust preventative coating burning off. This will occur for at least fifteen (15) minutes during the first use or seasoning process.

Pilot Flame Regulation: The pilot flame on the appliance has been factory adjusted. When adjustment is necessary, adjust the pilot flames as small as possible, but high enough to light the burner immediately when burner valve is turned to the "HIGH" setting. Access to the pilot flame adjustment screw is obtained by removing the front panel.

Burner Adjustment: Remove the front panel to gain access. Turn burner valve knob to "HIGH" position. Slowly decrease mixing ring aperture to give a soft blue flame having luminous tips, then slowly increase opening to a point where the yellow tips disappear and a hard blue flame is obtained.

COMMISSIONING: Commission of your new Griddle is of the utmost importance. Commissioning is the thorough and methodical testing of the equipment, subsystems, and systems to ensure that the final product functions properly and safely at the work site. By identifying any potential problems (i.e.: equipment location, ventilation, local fire/electrical codes, installation, operator training, and certification) prior to equipment being placed into service, costly outages and potential damages may be avoided.

ALWAYS SAFETY FIRST!

⚠️WARNING Improper installation, adjustment, alteration, service or maintenance can cause property damage, injury or death. Read the installation, operating and maintenance instruction thoroughly before installing or servicing this equipment.

⚠️WARNING FIRE HAZARD
Do not install or use without 4" legs. Use of this equipment without legs can cause the appliance to overheat and cause a fire.

⚠️ WARNING FIRE, INJURY or DEATH HAZARD This appliance is for use in non-combustible location only

⚠️ WARNING FIRE, INJURY or DEATH HAZARD

This equipment must be installed by a qualified installer in accordance with all federal, state and local codes. Failure to install this equipment properly can result in injury or death.

⚠️ WARNING FIRE and INJURY or DEATH HAZARD

Injuries or death can occur if this equipment is not used properly. To reduce risk of injury or death:

- Keep the appliance area free and clear from combustibles
- Do not obstruct the flow of combustion and ventilation air
- Do not spray controls or the outside of the appliance with liquids or cleaning agents
- Let hot appliance cool before cleaning or moving
- The appliance should only be used in a flat, level position
- Do not operate unattended

IMPORTANT SAFEGUARDS & SAFETY INSTRUCTIONS

⚠️ CAUTION When using gas cooking equipment, basic safety precautions should always be followed, including the following:

The Griddle outside surfaces may become HOT after use. Use caution when touching the unit.

- Never directly touch the cooking surface while the Griddle is on.
- Always turn off the unit when not in use, servicing or adjusting any parts or attachments, and before cleaning.
- Never leave the Griddle on overnight.
- Do not operate any equipment with a damaged or leaking gas line, ignitor or valve, or if the unit is dropped or damaged in any manner. Call for Service.
- The use of attachments not recommended or sold by the manufacture may cause fire, injury or even death.
- DO NOT USE OUTDOORS.
- Do not use this equipment for any use other than the use intended by the manufacturer.
- Never use the Griddle as a heating source.
- The Griddle does not contain **any** user-serviceable parts. Dealer or recommended qualified technicians should carry out repairs. Do not remove any components or service panels on this product.
- Never bypass, alter, modify, or attach any unauthorized parts to this equipment. Doing so may create a hazard and will void warranty.
- We take every care to ensure that all products are safe. Steel cutting procedures used to manufacture these items result in sharp edges. These sharp edges are removed to the best of our ability; however, we insist the operator take care when in contact with this piece of equipment.
- Always keep hands, hair, and clothing away from heating source.
- Allow the Griddle to cool down after use and before dismantling for cleaning; the unit will be too hot to handle immediately after use.
- DO NOT USE ICE TO COOL DOWN THE GRIDDLE PLATE. This will cause the Griddle plate to warp and render it unusable.

OPERATING INSTRUCTIONS

Operating the Griddle – Pilot Lighting Instructions for MANUALLY & THERMOSTAT CONTROLLED GRIDDLES

Before operating Griddle, it should be checked to see that is sitting level. Adjust the feet to level the Griddle. Be sure the catch tray had been properly placed.

The pilot light on the appliance has been set at the factory. Each burner has a pilot light.

1. Make sure all knobs are in the "OFF" position.
2. The main gas valve should be "CLOSED/OFF" for five (5) minutes prior to lighting pilots to clear any existing gas. (Main gas valve is supplied by others.)
3. Turn "ON or OPEN" the main gas valve to the unit.
4. Light and hold an ignition source (match) at the pilots. When the flame is established, remove the ignition source. Repeat this step for each burner as each burner has its own individual pilot. The pilot can be reached through the holes in the front of the unit.
5. Turn each burner knob "ON". If the burners do not ignite promptly, turn the knobs "OFF". From the opening in the front panel, use a screwdriver and turn the pilot valve screw counterclockwise, which will increase the flame height and repeat step 4.

If the pilot flame appears large than necessary, turn it down and retest the burner ignition. The pilot flame should be as small as possible but large enough to guarantee reliable ignition of the burners when the knobs are turned to "ON". In the holes located in the front panel are pilot valve adjustments. Use a screwdriver to turn the valve to adjust the flame height to your desired level.

⚠ CAUTION

All burners are lit from constantly burning pilots. Turning the valve to the desired flame height is all that is required to put the unit in service.

Igniting the Burner

To ignite the burner, turn knob to the "ON" position, then back off to the desired flame level. The range of adjustment is virtually infinite between "ON" and "OFF". On the Thermostat controlled griddle, turn the knob to the desired temperature and allow it to preheat for approximately fifteen (15) minutes. (*Be sure the griddle plate has been properly season before attempting to cook). The space between the legs at the bottom admits combustion air. DO NOT BLOCK THIS SPACE.

All burners are lit from a constantly burning pilots. Turning the valve to the desired flame height is all that is required to put the unit in service. Or if thermostatically controlled, simply set to the desired temperature.

Do not permit fans to blow directly at the unit. Whenever possible, avoid open windows next to the unit's sides or back. Avoid wall type fans which create air cross-currents within a room.

It is also necessary that sufficient air should be allowed to enter the room to compensate for the amount of air removed by any ventilation system. Otherwise, a subnormal atmospheric pressure will occur, affecting operation and causing undesirable working conditions.

A properly designed and installed hood will act as the heart of the ventilation system for the room or area in which the unit is installed, and will leave the unit independent of changing draft conditions.

NOTE: It may be necessary to adjust the balance of gas, volume, and air supply to each burner. This must be done by an authorized service technician.

SEASONING THE GRIDDLE

Be sure to start with a clean Griddle surface. Pour small amount of high quality cooking oil to the griddle plate (about one ounce (30 cc) per square foot of surface. Spread the oil over the entire griddle surface with a clean cloth to create a thin film. Turn on the griddle to the lowest flame height or the lowest setting on the dial if it is a thermostatically controlled griddle, and allow to heat for approximately 30 minutes. As the griddle is heating it will be necessary to spread the oil over the griddle surface to prevent it from drying. Repeat this process 2 to 3 times gradually increasing the flame height each time or increase the temperature by turning the dial up 100 degrees at a time, on the burner until the griddle has a slick, mirror-like surface. This process will take 1 ½ to 2 hours.

Note: Each time the griddle is cleaned with soap and WATER, the seasoning is removed and this process must be repeated.

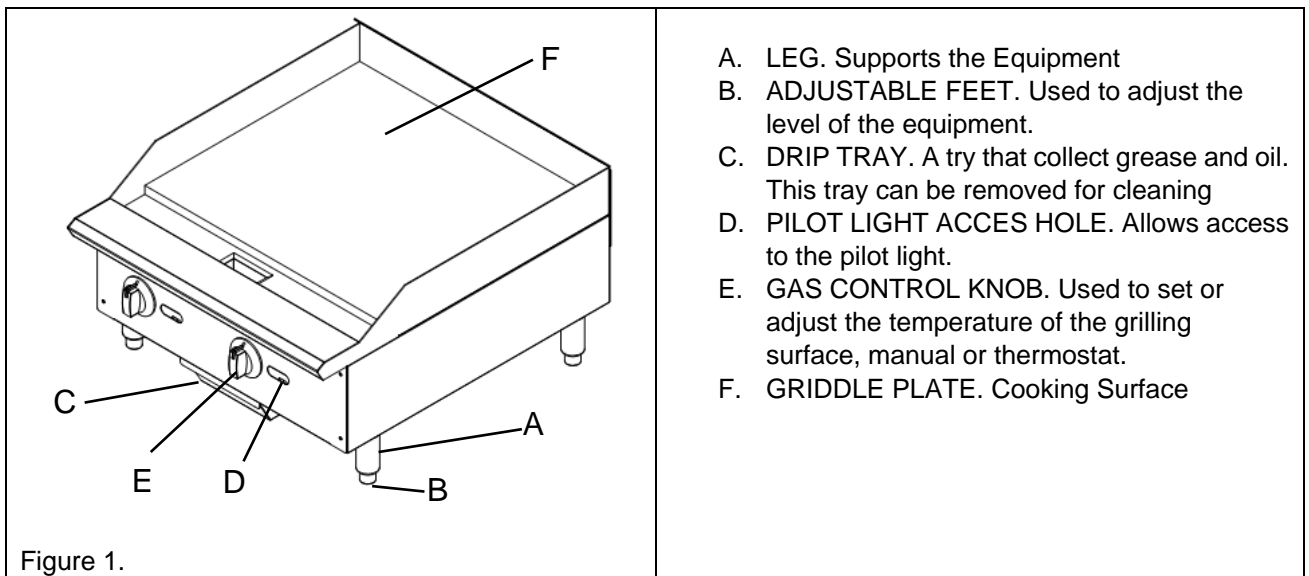
Note: If the process occurs too fast the griddle surface may turn a light bluish tint in color. The tint does not hurt the griddle surface. You should allow the surface to cool and start over.

OPERATING THE GRIDDLE

Turn the burners on about 15-20 minutes before cooking for preheating. Set the knobs to the desired flame height or temperature.

NOTE: On Manually Operated Griddles there is NO TEMPERATURE CONTROL, you, the operator must maintain temperature by increasing or decreasing the flame height as required.

Each valve controls the gas flow to the burner to bring that area of the griddle up to the desired temperature. If different temperature settings are to be used, adjoining areas should be set to progressively higher temperatures using the lowest temperature on the outside burners. A uniform and systematic approach to the loading of the unit will produce the most consistent product results.



CLEANING INSTRUCTIONS

CAUTION

- **DO NOT** use any abrasive or flammable cleaning fluids.
- **DO NOT** hose down, immerse, or pressure wash any part of the Griddle, excluding the catch tray.
- **NEVER** use a scrubber pad (on all exterior surfaces, except the griddle plate), steel wool or abrasive material, or cleaners containing chlorine, iodine and ammonia, or bromine chemicals as these will deteriorate the stainless steel and shorten the life of the unit.

CLEANING INSTRUCTIONS (Continued)

⚠ CAUTION IF CLEANING ALL THE GRIDDLE'S SURFACES, THE MAIN GAS VALVE MUST BE SWITCHED TO THE CLOSED POSITION. AFTER CLEANING, THE GAS LINE CAN BE SWITCHED BACK TO THE OPEN POSITION. PLEASE FOLLOW THE LIGHTING INSTRUCTION IN THE MANUAL TO RELIGHT THE GRIDDLE'S PILOTS AS NEEDED.

Recommended Cleaning

It takes very little time and effort to keep the Griddle attractive and performing at top efficiency. Wait until the griddle is cool after the unit had been turned off. Please follow the cleaning steps below:

PART	REQUIRED ACTION	FREQUENCY
Body	Use a clean cloth and a non-abrasive cleaner to clean the stainless steel body of the Griddle. Wipe the polished areas with a soft cloth.	Daily
Back and Side Splashes	Thoroughly clean. Wipe with clean, warm medley soapy water then re-wipe splashes with a damp cloth.	Daily
Controls	Unit should be turned off when not in use. It is recommended that the unit be disconnected from the gas supply by closing the main gas valve. Use a clean cloth to wipe any grease or debris from the control knobs.	Daily
Griddle Plate	Clean surface with a grill pad or metal spatula. <ul style="list-style-type: none"> • Clean the griddle surface thoroughly. If necessary, use a griddle stone or grill pad. (If a griddle stone is not used correctly it will damage the Griddle surface). • Rub with the grain of the metal while the griddle is still warm. A mild soap may be used on the plate surface to help clean it. • Remove all soap and debris thoroughly; wipe with a clean, damp cloth. • The plate should then be covered with a thin film of oil to prevent rusting. • Clean stainless surfaces with a damp cloth and polish with a soft dry cloth. To remove discoloration, use a nonabrasive cleaner. • After each "weekly" cleaning, the griddle must be seasoned again. If the griddle usage is very high, the "weekly" cleaning procedures may be done more often than once a week. The use of ice on the griddle plate to cool may damage the plate. 	Daily & Weekly
Catch Tray	Once the unit has cooled, remove the catch tray and discard the waste, grease, debris and crumbs. CAUTION: If the catch tray is permitted to fill too high, grease/debris is likely to accumulate under the unit. This catch tray/drawer is removed by pulling forward. USE CAUTION WHEN REMOVING!	As Needed

TROUBLESHOOTING

Problem	Possible Cause	Solution
Griddle not lighting	Main gas line is closed.	Open Valve
	Quick disconnect not inserted all the way.	Check quick disconnect and make sure it is fully inserted into female coupling.
	Pilot light is not lit.	Ignite pilot light.
	Cause unknown	Call for service.
Flame is too high or too low	Adjustment knob is turned up or down	Adjust flame with control knob.
Pilot light not staying lit.	Flame is too low	Adjust pilot light flame height.
	Pilot tube clogged.	Replace pilot tube. Call for service.
Strong smell of gas in cooking area.	Main gas line leak	Turn off main gas valve. DO NOT LIGHT FLAME, ignite anything, or turn/switch on anything electrical. Call Fire department if needed and call for service.
	One or more of the pilot may be out and burner knob turned on.	Check to see if burners and pilots are lit. If not, turn off all burner valves and main gas valve and wait for excess gas to dissipate. Reattempt to light pilots after allowing excess gas to clear.
Cooking surface is heating up slowly.	Carbon buildup on griddle surface.	Clean griddle surface.
	Cause unknown	Call for service.
Gas type of unit needs to be converted.	Unit ships from the factory Natural gas. Conversion from Natural Gas to L.P. is possible for this unit.	Call for service. This is not considered a warranty issue. Do not attempt conversion on your own.

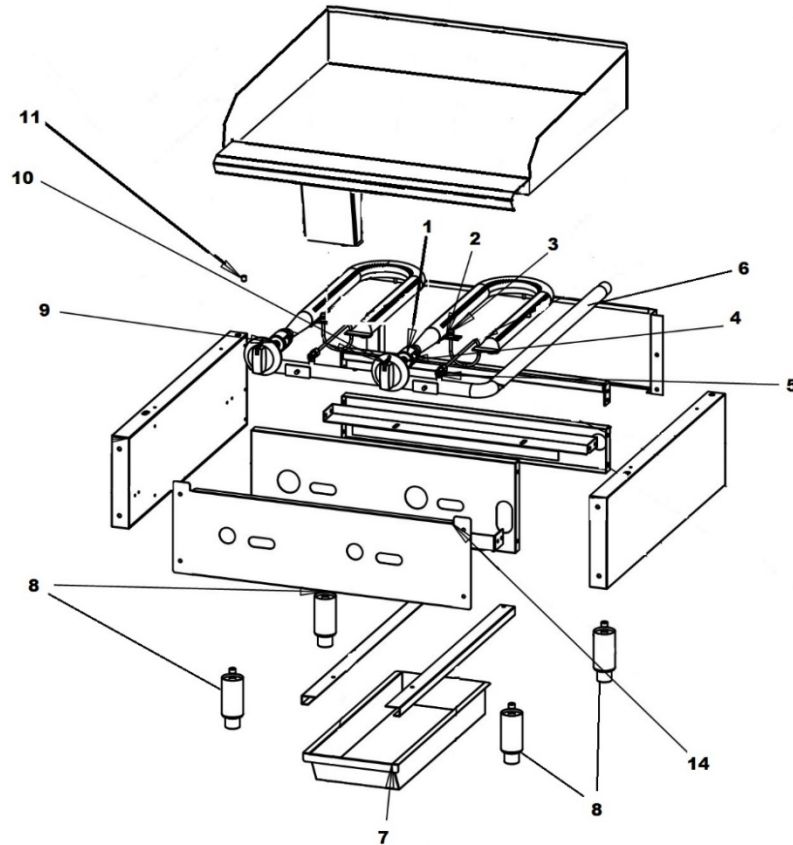
If problems persist and the assigned solution does not remedy the issue, please call for service.

PARTS

NOTICE

INSTALLATION OF OTHER THAN GENUINE Kintera PARTS WILL VOID THE WARRANTY ON THIS EQUIPMENT.

The serial plate is located on the inside, behind the front panel. Replacement parts may be ordered either through a Kintera Authorized Parts Distributor or an Kintera Authorized Service Agency. When ordering parts, please supply the Model Number, Serial Number, Part Number, and Description.



Ref #	Part #	Description	Ref #	Part #	Description
1	GC10001	U-SHAPED BURNER	8	GC10008	ADJUSTABLE LEG
2	GC10002	FIXED PLATE (PILOT)	9	GC10009	ORIFICE
3	GC10003	PILOT	10	GC10010-2	KNOB
4	GC10004	GAS VALVE	11	GC10011	PILOT PIN
5	GC10005	PILOT REGULATING VALVE	12	GC10012	GRIDDLE THERMOSTAT
6	GC10006	GAS INLET PIPE	*	GC10013-2	GRIDDLE THERMOSTAT DIAL
7	GC10007	DRIP PAN	*	GC10014	FRONT PANEL
*	GC10003.1	PILOT TUBING	*	GC10015	PRESSURE REGULATOR

*Griddle Thermostat and Dial are not shown.

KINTERA GASEQUIPMENTWARRANTY

(NON-TRANSFERABLE)

For Warranty Service Call 866-909-2855

All new Kintera Gas Cooking Equipment is warranted to be free from defects in material and workmanship under normal use and service for a period of one (1) year from the date of original purchase ,or 20months after shipment date from the manufacturer, whichever occurs first. Any gas cooking equipment installed in a non-permanent structure, such as a mobile kitchen and/or trailer shall have a thirty(30) days limited warranty from the date of purchase. Proof of purchase required. Intended for indoor commercial use only.

This is limited to the repair and replacement, including labor charges of defective parts and/or assemblies. Labor, travel and mile age covered for the first year include straight time labor charges and travel charges within 100 miles, round trip.

1. This warranty is limited to original installation of new Kintera Gas Cooking Equipment for the original user in the United States or Canada. This warranty is not transferable.
2. This product MUST be installed per Local and National Codes as described in the Owner's/Installers Manual.
3. This warranty does not apply to any equipment that has not been installed in accordance with the directions published in the appropriate installation and operation manuals.
4. Kintera will bear no responsibility or liability for any equipment which has been mishandled, abused, misapplied, misused, subjected to harsh chemical action, or external causes such as gas fluctuations, field modified without the approval of Kintera, or by unauthorized personnel, improperly installed or maintained, equipment damaged by flood, fire, or other acts of God, or which have altered or missing serial numbers.
5. This warranty applies only to defects in parts and workmanship in equipment and not damage incurred in shipping, handling or excessive incoming gas pressure.
6. If the equipment has been changed, altered, modified, or repaired with parts not authorized or by a nonqualified Kintera Service Technician, then Kintera shall not be responsible for warranty claim.
7. Adjustments such as calibrations, leveling, tightening off asteners and pipe unions, or utility connections normally associated with original installation are the responsibility of installer and not that of Kintera. Regular maintenance and cleaning shall be the responsibility of the customer.
8. Kintera will bear normal labor charges incurred in the repair or replacement of a warranted piece of equipment within 50 miles of an authorized service agent. Overtime, premium labor charges and travel charges in excess of 100 miles round trip will not be covered by Kintera and will be the responsibility of the person or firm requesting the service.
9. Original purchased replacement parts will be warranted for 90 days from the parts invoice date. This warranty is for parts cost only and does not include freight or labor charges.
10. This warranty provides the exclusive remedy against Kintera relating to all Kintera, whether in contract or in tort or under any other legal theory and whether arising out of warranties, representations, instructions, installations, or defects from any cause. Kintera shall not be liable, under any legal theory, for loss of use, revenue or profit, or for substitute use or performance, or for incidental, indirect, or special or consequential damages, or for any other loss of cost of similar type. The laws of some jurisdictions limit or do not allow the disclaimer of consequential damages. If the laws of such a jurisdiction apply to any claim by or against Kintera, NO limitations and disclaimers contained here shall be the greatest extent permitted by law.
11. The liability of Kintera is limited to the repair or replacement of any part found to be defective.

THIS WARRANTY AND THE LIABILITIES SET FORTH HEREIN ARE EXCLUSIVE AND IN LIEU OF ALL OF THEIR LIABILITIES AND WARRANTIES, EXPRESS OR IMPLIED, INCLUDING BUT NOT LIMITED TO, IMPLIED WARRANTIES OF MERCHANT ABILITY AND FITNESS FOR PARTICULAR PURPOSE AND CONSTITUTES THE ONLY WARRANTY OF KINTERA WITH RESPECT TO THE PRODUCT(S). KINTERA LIABILITY ON ANY CLAIM, INCLUDING BUT NOT LIMITED TO NEGLIGENCE, SHALL NOT EXCEED THE PRICE OF THE EQUIPMENT THAT GIVES RISE TO THE CLAIM.

WARRANTY CLAIMS

All requests for Warranty Service must be called into 866-909-2855 to obtain and agree to service dispatch with Warranty Claim Payment Terms. All claims for labor or parts must be made directly through Entrée L.L.C.

All claims should include: Dispatch number, model number of the unit, the serial number of the cabinet, proof of purchase, date of installation, and all pertinent information supporting the existence of the alleged defect.

WHAT IS NOT COVERED BY THIS WARRANTY

Kintera sole obligation under this warranty is limited to either repair or replacement of parts, subject to the additional limitations below. This warranty neither assumes nor authorizes any person to assume obligations other than those expressly covered by this warranty. Travel beyond 50 miles round trip and more than 2 hours round trip.

NO CONSEQUENTIAL DAMAGES. KINTERA IS NOT RESPONSIBLE FOR ECONOMIC LOSS; PROFIT LOSS; OR SPECIAL, INDIRECT, OR CONSEQUENTIAL DAMAGES, INCLUDING WITHOUT LIMITATION, LOSSES OR DAMAGES ARISING FROM FOOD OR PRODUCT SPOILAGE CLAIMS WHETHER OR NOT ON ACCOUNT OF REFRIGERATION FAILURE.

WARRANTY IS NOT TRANSFERABLE. This warranty is not assignable and applies only in favor of the original purchaser/user to whom delivered. **ANY SUCH ASSIGNMENT OR TRANSFER SHALL VOID THE WARRANTIES HEREIN MADE AND SHALL VOID ALL WARRANTIES, EXPRESS OR IMPLIED, INCLUDING ANY WARRANTY OF MERCHANTABILITY OR FITNESS FOR A PARTICULAR PURPOSE.**

IMPROPER USAGE. KINTERA ASSUMES NO LIABILITY FOR PARTS OR LABOR COVERAGE FOR COMPONENT FAILURE OR OTHER DAMAGES RESULTING FROM IMPROPER USAGE OR INSTALLATION OR FAILURE TO CLEAN AND/OR MAINTAIN PRODUCT AS SET FORTH IN THE OWNER'S MANUAL PROVIDED WITH THE UNIT.

RELOCATION OF EQUIPMENT FOR REPAIR: Kintera is not responsible for the cost to move the unit for any reason from its position of operation on the customer's premises to make a warranty repair.

RESIDENTIAL APPLICATIONS: Kintera assumes no liability for parts or labor coverage for component failure or other damages resulting from installation in non-commercial or residential applications.

ALTERATION, NEGLIGENCE, ABUSE, MISUSE, ACCIDENT, DAMAGE DURING TRANSIT OR INSTALLATION, FIRE, FLOOD, ACTS OF GOD.

Kintera is not responsible for the repair or replacement of any parts that Kintera determines have been subjected after the date of manufacture to alteration, neglect, abuse, misuse, accident, damage during transit or installation, fire, flood, or act of God.

IMPROPER GAS CONNECTIONS. KINTERA IS NOT RESPONSIBLE FOR THE REPAIR OR REPLACEMENT OF FAILED OR DAMAGED COMPONENTS RESULTING FROM INCORRECT PRESSURE OR TYPE OF GAS. THIS EQUIPMENT IS INTENDED FOR INDOOR USE ONLY.

NO IMPLIED WARRANTY OF MERCHANTABILITY OR FITNESS FOR A PARTICULAR PURPOSE: THERE ARE NO OTHER WARRANTIES, EXPRESSED, IMPLIED OR STATUTORY, EXCEPT THE ONE (1) YEAR PARTS & LABOR WARRANTY. THESE WARRANTIES ARE EXCLUSIVE AND IN LIEU OF ALL OTHER WARRANTIES, INCLUDING IMPLIED WARRANTY AND MERCHANTABILITY OR FITNESS FOR A PARTICULAR PURPOSE. THERE ARE NO WARRANTIES WHICH EXTEND BEYOND THE DESCRIPTION ON THE FACE HEREOF.

OUTSIDE U.S.: This warranty does not apply to, and Kintera is not responsible for, any warranty claims made on products sold or used outside the United States and Canada.



INSTALLATION & OPERATION MANUAL

GAS COUNTER SERIES GRIDDLES

Kintera Equipment, LLC

PO Box 1186

Mansfield MA 02048

FOR WARRANTY SERVICE CALL 866-909-2855

Register your product warranty online at: www.entree.biz

A product with the Kintera name incorporates the best in durability and low maintenance. We all recognize, however, that replacement parts and occasional professional service may be necessary to extend the useful life of this unit. When service is needed, contact a Kintera Authorized Service Agency, or your dealer. To avoid confusion, always refer to the Model Number, Serial Number, and Type of your unit.



Intertek

4003027

Conforms to ANSI
STD Z83.11-2016
Certified to CSA STD
1.8-2016



Intertek

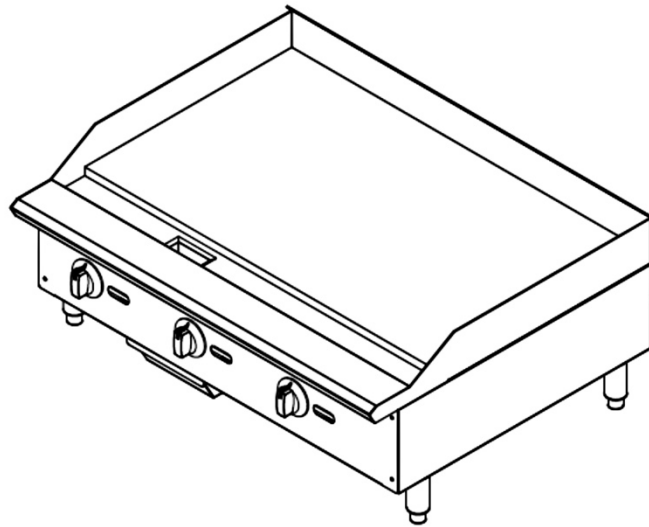
Conforms to
NSF/ANSI STD.4



MANUEL D'INSTALLATION & MODE D'EMPLOI

GRILS LISSES AU GAZ

GAMME DE COMPTOIR



▲ AVERTISSEMENT

Ce manuel renferme de l'information importante touchant votre appareil Kintera. Prière de lire ce manuel attentivement avant de l'installer, de l'opérer et de l'entretenir. Le défaut de se conformer aux consignes d'entretien décrites dans ce manuel pourrait annuler la garantie. Toute installation, réglage, modification, entretien ou réparation faits incorrectement peuvent entraîner des dommages matériels, des blessures ou la mort. Lire ce manuel attentivement avant d'installer ou d'entretenir cet équipement.

À LIRE SANS FAUTE!

Kintera Equipment, LLC

PO Box 1186

Mansfield MA 02048




Pour le service sous garantie, faire le (866) 909-2855

Enregistrement de la garantie de votre produit en ligne : www.entree.biz

MESURES DE SÉCURITÉ

Avant d'installer et d'opérer cet appareil assurez-vous que tous les gens qui le feront fonctionner soient parfaitement formés et au fait des mesures de sécurité. Des accidents et des problèmes peuvent survenir par manque de suivi des règles et des précautions fondamentales.

Les symboles suivants que vous trouverez dans ce manuel vous signalent des conditions potentiellement dangereuses pour les opérateurs, le personnel du service, ou pour l'équipement

 AVERTISSEMENT	Ce symbole sert à indiquer la présence d'un danger latent ou d'une pratique dangereuse qui pourraient entraîner des blessures ou la mort.
 PRUDENCE	Ce symbole sert à indiquer la présence d'un danger latent ou d'une pratique dangereuse qui pourraient entraîner des blessures, des dommages au produit, ou des dommages matériels.
 AVIS	Ce symbole vous informe à propos d'une situation qui demande une attention spéciale ou qui doit être pleinement comprise, même si elle n'est pas dangereuse.

POUR VOTRE SÉCURITÉ & POUR ÉVITER DE GRAVES BLESSURES ET DES DOMMAGES MATÉRIEL :

- **TOUJOURS** installer l'équipement dans un espace de travail spacieux et bien éclairé.
- **UTILISEZ SEULEMENT** sur une surface solide, de niveau et antidérapante, et loin des dangers provenant des éviers et de l'eau.
- Il ne faut **JAMAIS** peu importe la raison, contourner la condition générale de cet équipement, ni l'altérer ou la modifier. En ce faisant, on peut faire naître des dangers qui annuleront la garantie.

AVERTISSEMENT

DANGER D'INCENDIE POUR VOTRE SÉCURITÉ

Ne pas ranger ni utiliser de l'essence ou tout autre vapeur ou liquide inflammables près de cet appareil ou de tout autre appareil.

Maintenez la zone autour des appareils libre et exempte de matériaux combustibles.

L'acheteur de l'appareil doit afficher dans un endroit bien en vue les instructions précises à suivre en cas de senteurs de gaz. On peut obtenir cette information en la demandant au fournisseur de gaz local.

AVIS

Les grils lisses Kintera sont conçus pour un usage commercial seulement et NON pour un usage domestique.

La garantie sera annulée si des opérations d'entretien sont effectuées par des tiers autres que les techniciens autorisés, ou si des pièces de rechange autres que les pièces Kintera d'origine sont utilisées.

Assurez-vous que le manuel d'installation et mode d'emploi et les documents importants soient remis à l'autorité compétente pour les conserver pour références ultérieures.

Pour des appels sous garantie touchant votre gril lisse Kintera, Faire le (866) 909-2855

Lors de votre appel, assurez-vous d'avoir en main le numéro de modèle et de série.

Félicitations ! Vous venez de faire l'acquisition de l'un des meilleurs appareils de cuisson commercial sur le marché. Vous allez découvrir que votre nouvel équipement, comme tous ceux de Kintera, a été conçu et fabriqué pour répondre aux plus rigoureux standards de l'industrie. Tous les équipements de Kintera ont été conçus soigneusement et leurs designs ont été testé en laboratoire et chez des clients. Si vous l'entretenez correctement dans votre entreprise, vous allez vivre une expérience de rendements fiables et sans problèmes pendant des années. Pour obtenir les meilleurs résultats, lisez soigneusement ce manuel.

CONSERVEZ CE MANUEL POUR RÉFÉRENCES FUTURES

Table des matières

Caractéristiques	Page 19
Installation	Page 21
Opération	Page 25
Conditionnement	Page 26
Nettoyage	Page 26
Entretien/Dépannage	Page 28
Pièces de rechange	Page 29
Garantie	Page 30

Lisez soigneusement ces instructions avant d'entreprendre l'installation. L'installation et la mise en service initiale devraient être faites par un installateur qualifié. Si les consignes d'installation de ce produit ne sont pas suivies par un technicien de service qualifié (une personne d'expérience et compétente dans l'installation d'équipement de cuisson au gaz ou à l'électricité), alors les conditions de la garantie limitée du fabricant seront frappées de nullité et aucune garantie, quelle qu'elle soit, ne sera applicable.

CARACTÉRISTIQUES

GAZ et PRESSIONS du GAZ

⚠ PRUDENCE Cet appareil est livré de l'usine en configuration d'utilisation au gaz naturel. Il peut être converti au gaz GPL par un technicien licencié et certifié en techniques du gaz. Pour des raisons de garantie, des documents d'authentification peuvent être exigés. Le défaut de se conformer avec cette directive annulera la garantie. **Voir la liste des pièces et les instructions de la trousse de conversion au gaz GPL livrées avec l'appareil.**

⚠ AVERTISSEMENT L'appareil doit être installé en conformité avec le Code national des gaz combustibles, norme ANSI Z223,1/NFPA 54, ACNOR-B149,1, ou le Code d'installation du gaz propane, ACNOR-B149,2 le cas échéant et en conformité avec les codes locaux.

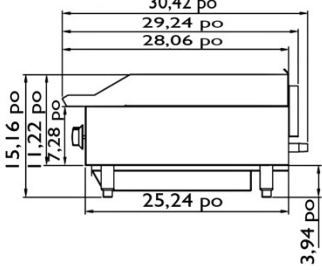
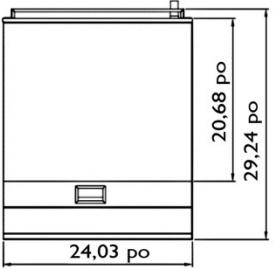
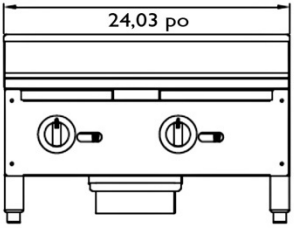
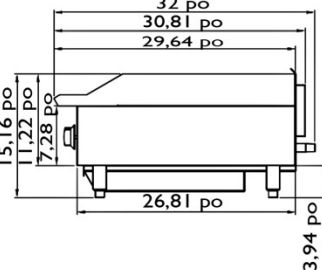
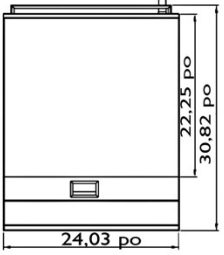
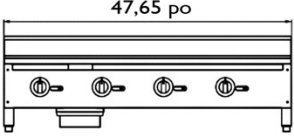
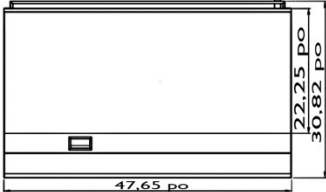
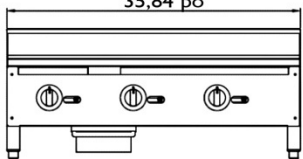
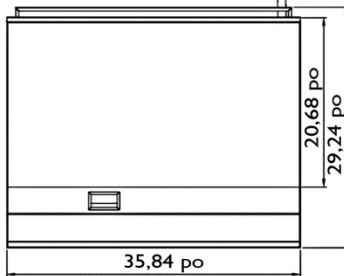
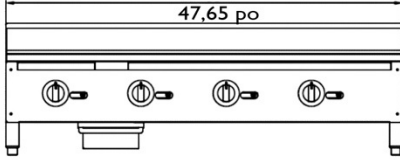
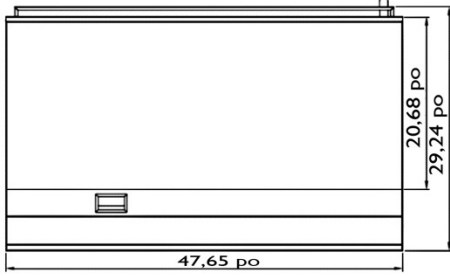
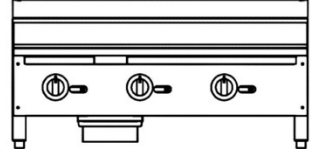
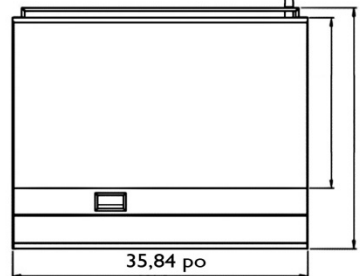
⚠ AVERTISSEMENT L'appareil et sa valve d'arrêt individuelle (par des tiers) doivent être déconnectés du système de conduites d'alimentation du gaz tout au long des tests de ce système à des pressions excédant ½ psi (3,45 kPa).

Ces modèles sont conçus, construits et vendus pour usage commercial seulement.

Les instructions et consignes doivent être affichées dans un endroit bien en vue. Toutes les mesures de sécurité doivent être prises en cas de détection d'une senteur de gaz par l'opérateur. Vous pouvez obtenir les informations sur la sécurité auprès de votre fournisseur de gaz local.



CARACTÉRISTIQUES(Suite)

 <p>Utiliser pour tous les grils à contrôles manuels</p>	 <p>Vue en plan Gril à contrôles manuels de 24 po</p>	 <p>Vue de face, gril à contrôles thermostatiques de 24 po</p>
 <p>Utiliser pour les grils à contrôles thermostatiques</p>	 <p>Vue en plan Gril à contrôles thermostatique de 24 po</p>	  <p>Gril à contrôles thermostatique de 48 po</p>
  <p>Grils à contrôles manuels de 36 po</p>	  <p>Grils à contrôles manuels de 48 po</p>	  <p>Grils à contrôles thermostatiques de 36 po</p>

Modèle	Description	BTU/h	Nombre de brûleurs	Type de gaz
KGR24M KGR24T	Gril au gaz, 24 po	60000	2	Gaz naturel ou propane*
KGR36M KGR36T	Gril au gaz, 36 po	90000	3	Gaz naturel ou propane*
KGR48M KGR48T	Gril au gaz, 48 po	120000	4	Gaz naturel ou propane*

* Cet appareil est livré de l'usine en configuration d'utilisation au gaz naturel et comprend une trousse de conversion au gaz propane. Un (T) indique des contrôles thermostatiques



DÉBALLAGE

Déballer le gril lisse immédiatement après réception. Retirez-le de la caisse; retirez tout le matériel d'emballage sur et autour de l'appareil et assurez-vous d'enlever tous les plastiques de protection de toutes les surfaces. Prenez soin de repérer toutes les pièces livrées, y compris la trousse de conversion au gaz GPL. Avant d'utiliser l'équipement, les pattes et pieds doivent être fixés. Cet équipement doit être soigneusement nettoyé et asséché avant de l'utiliser.

INSTALLATION

REMARQUE : Il est vital que l'acquéreur de cet équipement affiche dans un endroit bien en vue les directives à suivre au cas où l'opérateur détecterait une senteur de gaz. On peut se procurer ces directives chez le fournisseur de gaz local. L'acquéreur de cet équipement doit les afficher dans un endroit bien en vue.

12. Lisez soigneusement ce manuel avant l'installation et l'utilisation. NE PAS entreprendre l'installation et l'utilisation si vous avez des questions ou si vous ne comprenez pas certains points de ce manuel. Contactez d'abord votre représentant local ou Kintera.
13. Choisissez un emplacement où poser le plan de cuisson qui comporte une surface de niveau, solide, antidérapante et loin des dangers venant des éviers ou de l'eau, et dans un lieu de travail bien éclairé et éloigné des enfants et des visiteurs.
14. Cet équipement doit être installé sous une hotte à évacuation appropriée tel qu'exigé par le code local.
(AVIS) Les codes locaux en matière d'installation et de ventilation varient beaucoup selon les régions. L'Association nationale de protection contre les incendies précise dans l'édition la plus récente de la norme NFPA96 (voir la page NFPA au début de ce manuel) que les codes locaux sont « L'autorité compétente » touchant les exigences de l'installation d'équipement. En conséquence, l'installation devrait être conforme aux codes locaux.
15. Vissez les pieds (A) dans les écrous soudés en permanence aux 4 coins de l'appareil et serrez-les à la main. Les pattes et pieds doivent être installés pour permettre une ventilation adéquate de l'appareil.
16. Mettez l'appareil de niveau en ajustant les 4 pieds et serrez-les solidement. Les pieds peuvent être ajustés sur une hauteur d'un pouce. Ne faites pas glisser l'appareil si les pattes ont été posées, mais levez-le si nécessaire pour le déplacer.
17. Le régulateur de gaz livré a été réglé en usine pour le gaz naturel à 4 po CE ou à 10 po CE pour le gaz GPL.
18. **CES APPAREILS SONT CONÇUS POUR ÊTRE INSTALLÉS SUR DES SURFACES INCOMBUSTIBLES SEULEMENT.** Les dégagements incombustibles doivent être de : 6 po (152 mm) sur les côtés, 6 po (152 mm) à l'arrière, et 4 po (102 mm) du plancher fini.
19. N'obstruez pas la circulation de l'air de combustion et de ventilation sous l'appareil, soit par les pieds ou derrière l'appareil par la cheminée. Ne posez pas d'objets entre le dessous de l'appareil et le dessus du comptoir.
20. Il doit y avoir un dégagement adéquat pour retirer le panneau frontal. Toutes les pièces majeures, sauf les brûleurs, sont amovibles par le devant si l'alimentation du gaz est déconnectée.
21. Il se peut qu'il soit nécessaire d'équilibrer le volume de gaz et l'arrivée d'air de chaque brûleur. Cela doit être fait par un technicien d'entretien autorisé.
22. La pâte à joint doit pouvoir résister à l'action du gaz de pétrole liquéfié. NE VOUS SERVEZ PAS DE RUBAN DE TÉFLON.

AVERTISSEMENT

NE Pas se servir d'une flamme nue pour contrôler les fuites. Vérifiez toutes les fuites de la tuyauterie du gaz avec une solution d'eau savonneuse avant de faire fonctionner l'appareil.

L'installation de cet appareil doit être conforme aux codes locaux, ou en l'absence de ceux-ci, au Code national des gaz combustibles, norme ANSI Z223,1/NFPA 54, ou le cas échéant, le Code d'installation du gaz naturel et propane, norme ACNOR B149,1.

- L'appareil et sa valve de sectionnement doivent être disconnectés du système d'alimentation gazier pendant tout test de pression de ce système à des pressions excédant ½ psi (3,5 kPa).
- L'appareil doit être coupé du système d'alimentation gazier en fermant sa valve de sectionnement manuel pendant tout test de pression du système à des pressions égales ou inférieures à ½ psi (3,5 kPa).

Dégagements autour de l'appareil : Cet appareil doit être installé sur des surfaces incombustibles seulement et doit être dégagé de tous les côtés par un espacement minimal de 6 po (152 mm). Il doit être également fixé à une distance

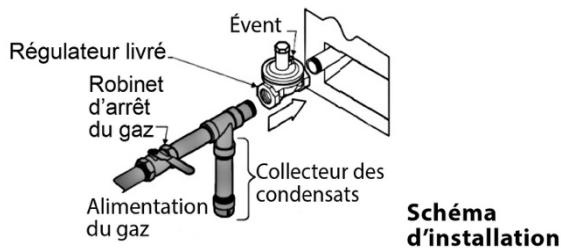
minimale de 6 po (152 mm) d'un autre appareil. Il faut que les pieds de 4 po (100 mm) livrés aient été installés et que l'appareil soit posé sur une surface incombustible.

Apport d'air et ventilation : La zone devant et autour des appareils doit être dégagée pour éviter toute obstruction de la circulation de l'air de combustion et de ventilation. Des dégagements adéquats doivent être maintenus en tout temps devant et sur les côtés de l'appareil pour en faire l'entretien et pour qu'il soit bien ventilé.

Régulateur de pression: Tous les appareils de cuisson commerciaux doivent être équipés d'un régulateur de pression installé sur la conduite d'alimentation gazière pour qu'ils puissent fonctionner en sécurité et efficacement. Le régulateur livré avec cet équipement peut servir au gaz naturel aussi bien que propane (GPL). Une trousse de conversion et des instructions séparées sont incluses et expliquent cette procédure en détail.

Informations sur le régulateur : Entrée et sortie de ¾ po (19 mm) NPT (pas de tuyauterie); réglé en usine pour le gaz naturel standard à 4 po de colonne d'eau (CE), et peut être converti par un personnel qualifié au gaz propane à une pression de 10 po de colonne d'eau.

Avant de raccorder le régulateur, vérifiez la pression de la conduite d'arrivée. Le régulateur ne peut pas résister à une pression maximale de plus de ½ psi (14 po CE). Si la pression de la conduite excède cette limite, un régulateur abaisseur sera requis devant le régulateur. La flèche forgée dans la base du régulateur indique la direction du flux de gaz et devrait pointer en aval vers l'appareil.



Conversion du gaz : Seule l'usine ou son agent de service autorisé peuvent effectuer la conversion du gaz naturel au gaz propane liquéfié (GPL). En cas de problèmes, assurez-vous que les injecteurs à orifice livrés sont de la bonne taille.

Orifice pour le gaz naturel— # 36dms (contrôles thermostatiques), #37 dms (contrôles manuels)

Orifice pour gaz de pétrole liquéfié (GPL) — # 51dms (contrôles manuels et thermostatiques)

REMARQUE : La taille de l'orifice est indiquée sur l'injecteur.

Raccordement du gaz : L'appareil est livré avec un adaptateur mâle de ¾ po (19 mm) NPT pour raccordement au régulateur de pression.

Entretien : Pour qu'il soit sécuritaire et efficace, l'appareil devrait être contrôlé annuellement par une entreprise d'entretien qualifiée. Contactez le représentant de l'usine ou une entreprise de service locale pour l'entretien et les réparations.

Tuyauterie de gaz : La tuyauterie de gaz devra être d'une taille suffisante pour répondre à la demande de gaz requise par l'appareil et installée en conséquence. Si on doit raccorder l'appareil à une tuyauterie existante, elle devra être vérifiée pour déterminer si elle peut l'alimenter de façon adéquate. La pâte à joint (revêtement de tuyaux) devra être utilisée modérément et seulement sur le filetage mâle des raccords de tuyauterie. La pâte à joint doit pouvoir résister à l'action des gaz propane liquéfiés (GPL).

⚠ PRUDENCE Toute les saletés ou particules métalliques en suspension qu'on laisse pénétrer dans les conduites de gaz de cet appareil, vont endommager la valve et affecter son fonctionnement. Lors de l'installation de cet appareil, l'intérieur de tous les tuyaux et les raccords doit être libre de tout contaminant. Il est recommandé d'installer un « collecteur de condensats » sur la conduite avant le régulateur.

Robinet d'arrêt manuel : Un robinet d'arrêt manuel devrait être installé en amont du manifold à moins de 4 pi (1 220 mm) de l'appareil et installé là où on peut l'atteindre facilement en cas d'urgence.

Contrôle des fuites de gaz : Pour détecter les fuites de gaz, il est recommandé d'utiliser un détecteur ou une solution d'eau savonneuse. Il ne faut pas se servir d'allumettes, de la flamme d'une chandelle, ou d'autres sources d'allumage à cette fin. Vérifiez la totalité du système de tuyauterie pour détecter des fuites.

Hotte d'aspiration : Par leur nature les appareils de cuisson produisent une grande quantité de chaleur et de fumée et devraient donc être installés sous une hotte d'aspiration efficace et munie de filtres résistant à la flamme. Une distance d'au moins 4 pi (1 220 mm) doit être prévue entre la surface de l'appareil et les filtres ou tout autre matériau combustible.

⚠ AVERTISSEMENT

DANGER DE MORT PAR LE FEU : Si vous sentez une odeur de gaz, observez les directives fournies par le fournisseur de gaz. Ne touchez aucun interrupteur électrique : ne tentez pas d'allumer le brûleur; ne vous servez pas d'un téléphone à proximité immédiate.

1. Avant d'essayer d'allumer les veilleuses, fermez la valve à gaz principale alimentant l'appareil, et patientez cinq minutes afin de dissiper le gaz.
2. Fermez tous les boutons de contrôle du gaz (E). Voir la figure 1.
3. Mettez la valve de contrôle du gaz en marche et allumez toutes les veilleuses.
4. Toutes les veilleuses des brûleurs doivent être allumées au bout du tube. Pointez une source d'allumage sur le tube des veilleuses dans le trou d'accès (D) du panneau avant. Lorsque la flamme est bien établie, retirez la source d'allumage.
5. Pour éteindre l'appareil, coupez l'alimentation de gaz par la valve principale.

REMARQUE : Il est normal que de la fumée apparaisse lors de la première mise en marche de l'appareil. Cette fumée provient du brûlage de la couche de matériel utilisé pour la prévention de la rouille. Laissez l'appareil brûler ce matériel pendant au moins 15 minutes avant la première utilisation ou le processus de conditionnement.

Réglage de la flamme des veilleuses : La flamme des veilleuses de l'appareil a été ajustée à l'usine. Lorsqu'un réglage devient nécessaire, ajustez les flammes aussi faibles que possible, mais assez fortes pour allumer immédiatement les feux lorsque le robinet du brûleur est ouvert en « Haute » position. On accède à la vis de réglage de la flamme de la veilleuse en retirant le panneau avant.

Réglage du brûleur : Pour accéder au brûleur, retirez le panneau avant. Mettez le bouton du feu à la position « High ». Diminuez lentement l'ouverture de l'anneau de mélange jusqu'à l'obtention d'une flamme bleue à pointes lumineuses, pour ensuite augmenter lentement l'ouverture jusqu'au point où les pointes lumineuses disparaissent et qu'une flamme bleue solide apparaisse.

ENTRÉE EN SERVICE : La mise en route de votre gril lisse est d'une importance capitale. La mise en route consiste à tester soigneusement et méthodiquement l'équipement, ses sous-ensembles, et les systèmes de sorte que le produit final fonctionne correctement et sécuritairement sur les lieux. En identifiant tout problème latent (c.-à-d. l'emplacement de l'équipement, la ventilation, les codes d'incendie et d'électricité locaux, l'installation, la formation des opérateurs et la certification) avant l'entrée en service de l'équipement, on pourra éviter des pannes coûteuses et des dommages potentiels.

⚠ AVERTISSEMENT

Toute installation, réglage, modification, entretien ou réparation faits incorrectement peuvent entraîner des dommages matériels, des blessures ou la mort. Lire attentivement les instructions touchant l'installation, l'opération et l'entretien avant d'installer ou d'entretenir cet équipement.

⚠ AVERTISSEMENT

DANGER D'INCENDIE

Ne pas installer ou se servir de l'appareil sans les pieds de 4 po (100 mm). L'utilisation de cet équipement dans les pieds peut le faire surchauffer et causer un incendie.

TOUJOURS LA SÉCURITÉ EN PREMIER LIEU !

⚠ AVERTISSEMENT

DANGER D'INCENDIE, DE BLESSURES ou DE MORT
Cet appareil doit être utilisé seulement dans un endroit incombustible

⚠ AVERTISSEMENT

DANGER D'INCENDIE, et de BLESSURES, ou DE MORT

Cet équipement doit être installé par un technicien qualifié en conformité avec tous les codes fédéraux, des états et locaux. Le défaut d'installer, de régler ou d'entretenir cet équipement correctement peut entraîner des blessures ou la mort.

⚠ AVERTISSEMENT

DANGER D'INCENDIE, DE BLESSURES ou DE MORT

Il peut survenir des blessures ou la mort si cet équipement n'est pas utilisé correctement. Pour réduire les risques de blessures ou de mort :

- Gardez la zone autour de l'appareil propre et libre de tout matériel combustible;
- Ne pas obstruer la circulation de l'air de combustion et de ventilation;
- Ne pulvérisez pas de liquides ou d'agents de nettoyage sur les commandes ou l'extérieur de l'appareil;
- Laissez refroidir l'appareil chaud avant de le nettoyer ou de le déplacer;
- L'appareil ne doit être utilisé que s'il a été mis de niveau;
- Ne pas l'opérer sans surveillance.

IMPORTANTES MESURES DE PROTECTION & DE SÉCURITÉ

⚠ PRUDENCE Lorsqu'on utilise de l'équipement de cuisson au gaz, on doit toujours observer des précautions de sécurité élémentaires, y compris ce qui suit :

Les surfaces autour des grils peuvent devenir CHAUDES après usage. Soyez prudents en touchant à l'appareil.

- Ne touchez jamais directement la surface de cuisson pendant que le brûleur est ouvert.
- Éteignez toujours l'appareil s'il n'est pas en service, lors d'une réparation ou du réglage de toute pièce ou accessoire, et avant le nettoyage.
- Ne jamais laisser le gril allumé pendant la nuit.
- Ne faites pas fonctionner un équipement dont la conduite de gaz, l'allumage ou la valve fuit, ou si l'appareil a été échappé ou a été endommagé de n'importe quelle façon. Faites appel au service de l'entretien.
- L'utilisation d'accessoires autres que ceux recommandés par le fabricant peut entraîner un incendie, une blessure ou même la mort.
- **NE PAS UTILISER EN PLEIN AIR À L'EXTÉRIEUR.**
- Ne vous servez pas de cet équipement à des fins autres que celles prévues par le fabricant.
- N'utilisez jamais le gril comme source de chauffage.
- Le gril lisse ne renferme **aucune** pièce qui peut être réparée/entretenu par l'utilisateur. Le détaillant ou des techniciens qualifiés recommandés devraient s'occuper des réparations. Ne retirez aucun composant ou panneau d'accès de ce produit.
- Ne jamais contourner, altérer, ou modifier cet équipement, ni y adjoindre des pièces non autorisées. Cela pourrait constituer un danger et annuler la garantie.
- Nous prenons toutes les précautions pour que tous les produits soient sécuritaires. Les procédures de coupe de l'acier utilisées dans la fabrication de ces articles produisent des rebords acérés. Ces arêtes vives sont retirées du mieux que nous pouvons; nous insistons cependant pour que l'opérateur soit prudent en venant en contact avec cet appareil.
- Gardez toujours les mains, cheveux, et vêtements éloignés de la source de chaleur.
- Laissez le gril lisse refroidir après le service et avant de le démonter pour le nettoyage; immédiatement après le service, l'appareil sera trop chaud pour le manipuler.
- **NE PAS UTILISER DE GLACE POUR REFROIDIR LA PLAQUE DU GRIL.** Cela entraînera le gauchissement de la plaque de grillage et la rendra inutilisable.

MODE D'EMPLOI

Opération du gril lisse – Instructions d'allumage des veilleuses pour LES GRILS LISSES À CONTRÔLES MANUELS ET THERMOSTATIQUES

Avant de faire fonctionner le gril lisse, vous devriez vérifier s'il est bien posé de niveau. Ajustez le niveau de l'appareil par les pieds. Assurez-vous que le collecteur de gras a été mis en place correctement.

La veilleuse permanente de l'appareil a été réglée à l'usine. Chacun des brûleurs comporte une veilleuse.

6. Assurez-vous que tous les boutons de contrôle sont « ARRÊTÉS (OFF) ».
7. La valve à gaz principale devrait être « FERMÉE / À L'ARRÊT » pendant cinq minutes afin de dissiper le gaz présent (la valve à gaz principale est fournie par des tiers).
8. Mettez en marche (ouvrez) la valve à gaz principale de l'appareil.
9. Allumez et pointez une source d'allumage sur la veilleuse. Lorsque la flamme est bien établie, retirez la source d'allumage. Répétez cette étape pour chacun des brûleurs car tous sont équipés d'une veilleuse individuelle. On accède à la veilleuse par les trous de l'avant de l'appareil.
10. Tournez chaque bouton des brûleurs en position de « MARCHÉ ». Si les brûleurs ne s'allument pas rapidement, « FERMEZ » les boutons. À partir de l'ouverture du panneau frontal, prenez un tournevis et tournez la vis de la valve de la veilleuse dans le sens antihoraire, ce qui augmentera la hauteur de la flamme, ensuite répétez l'étape 4. Si la flamme de la veilleuse semble plus grosse que nécessaire, faites-la diminuer et retestez l'allumage du brûleur. La flamme de la veilleuse devrait être aussi faible que possible, mais assez forte pour assurer l'allumage fiable du brûleur lorsque les boutons sont mis en « MARCHÉ ». Le réglage de la valve de la veilleuse se trouve dans les ouvertures situées dans le panneau avant. Servez-vous d'un tournevis sur la valve pour régler la flamme à la hauteur que vous désirez.

⚠ PRUDENCE Tous les brûleurs sont allumés par des veilleuses permanentes. Tout ce qu'il faut faire pour mettre l'appareil en service consiste à tourner le robinet à l'intensité de flamme requise.

Allumage du brûleur

Pour allumer un brûleur, tournez le bouton à la position de « MARCHÉ », ensuite reculez-le à la force de feu désirée. La plage des réglages est pratiquement illimitée entre la « MARCHÉ » et « l'ARRÊT ». Pour un gril à contrôles thermostatiques, placez le bouton à la température désirée et laissez-le préchauffer pendant environ 15 minutes. (*Assurez-vous d'avoir bien conditionné la plaque du gril avant de commencer à cuire). L'espace entre les pattes et le fond de l'appareil admettent l'air de combustion. NE BLOQUEZ PAS CET ESPACE.

Tous les brûleurs sont allumés par les veilleuses permanentes. Tout ce qu'il faut faire pour mettre l'appareil en service consiste à tourner le robinet à l'intensité de flamme requise. Ou s'il est contrôlé par thermostats, il faut simplement le régler à la température voulue.

Ne laissez pas de ventilateurs souffler directement vers l'appareil. Autant que possible, évitez les fenêtres ouvertes sur les côtés ou à l'arrière de l'appareil. Évitez les types de ventilateurs muraux qui causeront des contre-courants d'air dans la pièce.

Il est également nécessaire qu'un apport d'air suffisant pénètre dans la pièce pour compenser la quantité d'air retirée par tout système de ventilation. Autrement une contre pression atmosphérique se produira affectant les opérations et provoquera des conditions de travail indésirables.

Une hotte à évacuation bien conçue et installée servira de cœur au système de ventilation de la pièce ou de la zone où l'appareil sera installé, et fera en sorte que l'appareil reste indépendant des conditions de tirage variables.

REMARQUE : Il se peut qu'il soit nécessaire d'ajuster l'équilibre entre le volume de gaz et d'air admis à chacun des brûleurs. Cela doit être fait par un technicien d'entretien autorisé.

CONDITIONNEMENT DU GRIL LISSE

Assurez-vous de débiter par une plaque de grillage propre. Versez une petite quantité d'huile de cuisson de grande qualité sur la plaque du gril au rythme d'environ 1 once/pi² (0,09 ml/m²) de surface. Étendez une mince couche l'huile sur toute la surface de la plaque avec un chiffon propre. Allumez le gril lisse à la plus basse intensité ou au réglage le plus faible du cadran s'il s'agit d'un gril à contrôles thermostatiques, et laissez chauffer pendant environ 30 minutes. À mesure du chauffage de la plaque, il sera nécessaire d'étendre l'huile sur la surface pour l'empêcher de sécher. Répétez ce processus 2 à 3 fois en augmentant graduellement l'intensité de la flamme à chaque fois ou augmentez la température en tournant le bouton du cadran de 100 degrés à la fois jusqu'à ce que la plaque devienne lisse et lustrée comme un miroir. Il vous faudra 1,5 à 2 heures pour compléter ce processus.

Remarque : À chaque fois que le gril lisse est nettoyé à L'EAU et au savon, la couche de conditionnement disparaît et ce processus doit être répété.

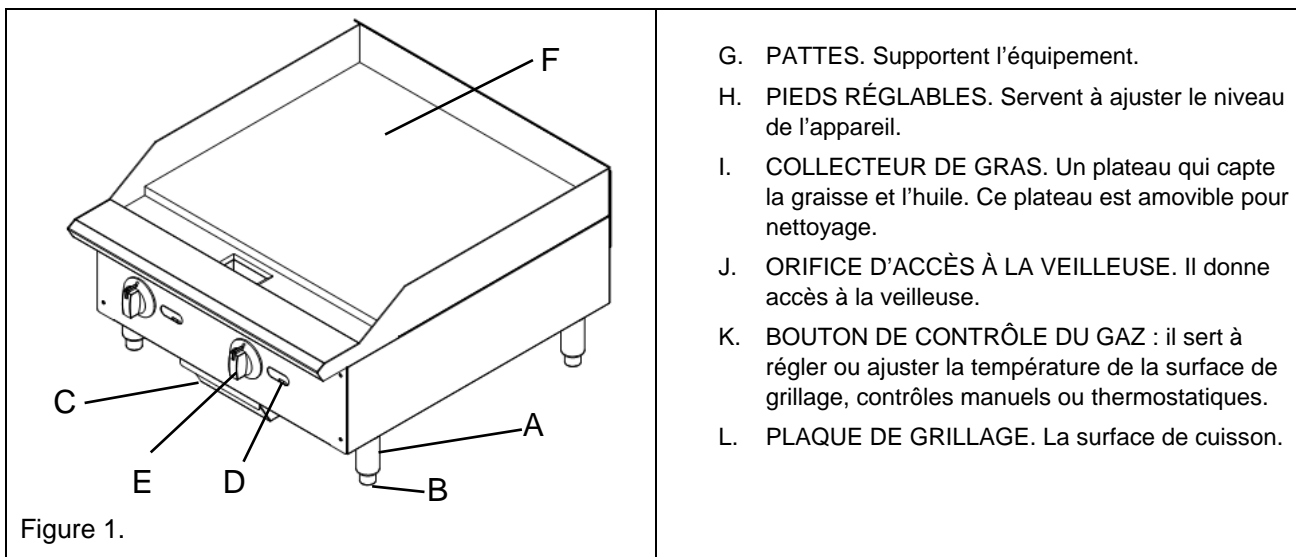
Remarque : Si le processus se déroule trop rapidement, la surface de la plaque peut devenir d'une couleur bleuâtre. Cette décoloration n'endommage pas la surface du gril. Vous devriez laisser refroidir la surface et recommencer.

FONCTIONNEMENT DU GRIL LISSE

Allumez les brûleurs environ 15 à 20 minutes avant la cuisson pour les préchauffer. Réglez les boutons à l'intensité de chauffage ou à la température désirée.

REMARQUE : Les grils à contrôles manuels N'ONT PAS DE CONTRÔLES DE LA TEMPÉRATURE, et vous, l'opérateur devez maintenir la température en augmentant ou en diminuant l'intensité de la flamme au besoin.

Chaque robinet contrôle l'apport de gaz au brûleur pour amener cette zone du gril à la température désirée. Si vous utilisez des réglages de température différents dans les sections adjacentes, celles-ci devraient être réglées progressivement à des températures plus élevées, la plus basse température étant réglée sur le brûleur extérieur. Une approche uniforme et systématique au chargement du gril produira les résultats de cuisson des produits les plus uniformes.



CONSIGNES DE NETTOYAGE

⚠ PRUDENCE

- **NE PAS** utiliser d'abrasifs ou de liquides de nettoyage inflammables.
- **NE PAS** laver au boyau d'arrosage, ou à la pression toute partie du gril lisse, sauf le collecteur de gras.
- **NE JAMAIS** utiliser de tampons à récurer (sur toutes les surfaces externes, sauf sur la plaque de cuisson), de laine d'acier, ou de nettoyeurs contenant du chlore, de l'iode et de l'ammoniaque, ou des produits chimiques semblables car ils vont détériorer l'acier inox et réduire la durée de vie de l'appareil.

CONSIGNES DE NETTOYAGE (Suite)

⚠ PRUDENCE LORS DU NETTOYAGE DE TOUTES LES SURFACES DU GRIL LISSE, LA VALVE À GAZ PRINCIPALE DOIT ÊTRE MISE EN POSITION FERMÉE. APRÈS LE NETTOYAGE, LA CONDUITE DE GAZ PEUT ÊTRE REMISE EN POSITION OUVERTE. VEUILLEZ OBSERVER LES DIRECTIVES D'ALLUMAGE DU MANUEL POUR RALLUMER LES VEILLEUSES DES BRÛLEURS DU GRIL AU BESOIN.

Recommandations de nettoyage

Peu de temps et d'efforts sont requis pour garder le grill attrayant et pour qu'il travaille à plein rendement. Patientez jusqu'à ce que l'appareil ait refroidi après l'avoir éteint. Veuillez suivre les étapes de nettoyage ci-dessous :

PARTIE	ACTION REQUISE	FREQUENCE
CAISSON	Servez-vous d'un chiffon propre et d'un nettoyeur non abrasif pour nettoyer Le caisson d'acier inox du plan de cuisson. Essuyez les surfaces polies avec un chiffon doux.	Quotidiennement
Éclaboussures à l'avant et à l'arrière	Nettoyez à fond. Essuyez avec une solution d'eau chaude savonneuse et ensuite essuyez de nouveau les éclaboussures avec un chiffon humide.	Quotidiennement
Commandes	L'appareil devrait être éteint quand il n'est pas en service. On recommande qu'il soit déconnecté de l'alimentation de gaz en fermant la valve à gaz principale. Utilisez un chiffon propre pour essuyer tous les résidus de gras ou les débris collés sur les boutons de contrôle.	Quotidiennement
Plaque de grillage	Nettoyez la surface avec un tampon à grill ou une spatule métallique. <ul style="list-style-type: none">Nettoyez minutieusement la surface de la plaque. Si nécessaire, servez-vous d'une pierre ou d'un tampon à grill. (Si la pierre à grill n'est pas utilisée correctement, elle peut endommager la surface de la plaque).Frottez dans le sens du polissage pendant que la plaque est encore chaude. On peut utiliser une solution d'eau chaude et de savon doux comme aide au nettoyage.Retirez complètement tout le savon et les débris; essuyez avec un chiffon humide propre.La plaque devrait ensuite être recouverte d'une mince couche d'huile pour l'empêcher de rouiller.Nettoyez les surfaces d'acier inox avec un linge humide et polissez-les avec un linge doux sec. Servez-vous d'un nettoyeur non abrasif pour faire partir les décolorations.Après chacun des nettoyages « hebdomadaires », le grill lisse doit être conditionné de nouveau. S'il est utilisé très fréquemment, les procédures de nettoyage peuvent être faites plus souvent qu'une fois par semaine. Si on utilise de la glace sur le grill pour le refroidir, la plaque peut être endommagée.	Quotidiennement & À chaque semaine
Collecteur de gras	Une fois l'appareil refroidi, retirez le collecteur de gras et jetez les déchets, le gras, les débris et les miettes. PRUDENCE : si on laisse trop s'emplier le collecteur de gras, la graisse et les débris vont probablement s'accumuler sous l'appareil. On retire ce plateau/tiroir de collection en le tirant vers l'avant. SOYEZ PRUDENTS QUAND VOUS LE RETIREZ !	Au besoin

DÉPANNAGE

Problème	Cause possible	Solution
Le brûleur ouvert ne s'allume pas.	<p>La conduite de gaz principale est fermée.</p> <p>Le connecteur à désaccouplement rapide n'est pas enfiché complètement.</p> <p>La veilleuse n'est pas allumée.</p> <p>Cause inconnue.</p>	<p>Ouvrez la valve</p> <p>Vérifiez le connecteur rapide et assurez-vous qu'il est pleinement enfiché dans le coupleur femelle.</p> <p>Allumez la veilleuse.</p> <p>Faites appel au service de l'entretien.</p>
La flamme est trop intense ou trop faible.	Le bouton de réglage est tourné trop haut ou trop bas.	Réglez la flamme avec le bouton de contrôle.
La veilleuse ne reste pas allumée.	<p>La flamme est trop basse.</p> <p>Le tube de la veilleuse est bouché.</p>	<p>Ajustez la hauteur de la flamme de la veilleuse.</p> <p>Remplacez le tube de la veilleuse. Faites appel au service de l'entretien.</p>
Forte odeur de gaz dans la zone de cuisson.	<p>Fuite dans la conduite de gaz principale.</p> <p>Il se peut qu'une des veilleuses soit éteinte et que le bouton du brûleur soit allumé.</p>	<p>Fermez la valve à gaz principale. NE PAS ALLUMER UNE FLAMME, enflammer quoi que ce soit, ou activer/allumer tout dispositif électrique. Appelez les pompiers si nécessaire, et faites appel au service de l'entretien.</p> <p>Vérifiez si les brûleurs sont allumés, de même que les veilleuses. Sinon, fermez tous les robinets des brûleurs et la valve à gaz principale et attendez que l'excès de gaz se dissipe.</p> <p>Essayez de rallumer les veilleuses après avoir attendu que le gaz se dissipe.</p>
La surface de cuisson se réchauffe lentement.	<p>Accumulation de carbone sur la surface du grill lisse.</p> <p>Cause inconnue.</p>	<p>Nettoyez la surface du plan de cuisson à feux vifs.</p> <p>Faites appel au service de l'entretien.</p>
Le type de gaz de l'appareil doit modifié.	Les appareils sont livrés de l'usine en configuration de gaz naturel. Il est possible de convertir cet appareil du gaz naturel au gaz GPL.	Faites appel au service. Ceci n'est pas jugé comme un problème sous garantie. Ne tentez pas de faire la conversion vous-même.

Si un problème persiste et que la solution proposée ne le corrige pas, veuillez appeler le service de l'entretien.

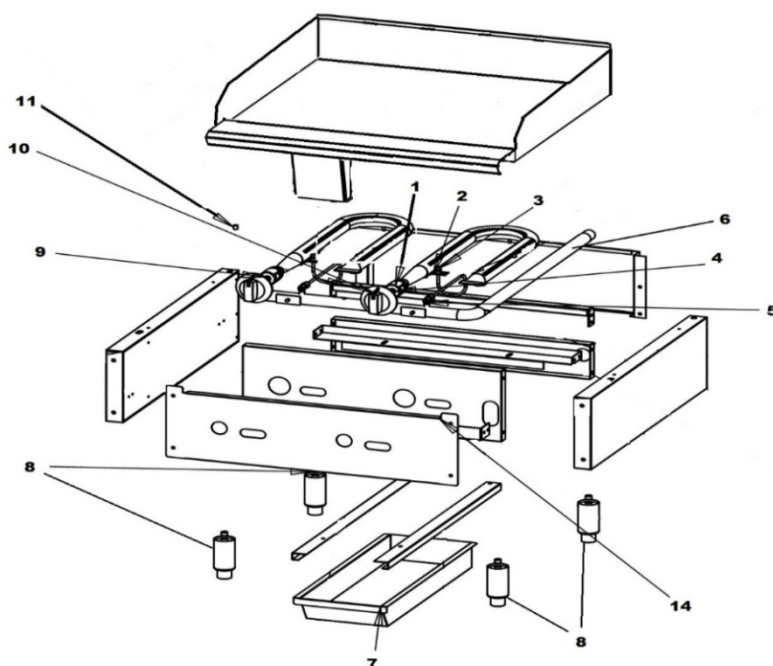
PIÈCES DE RECHANGE

AVIS

L'INSTALLATION DE PIÈCES DE RECHANGE AUTRES QUE LES PIÈCES D'ORIGINE KINTERA ANNULERA LA GARANTIE DE CET ÉQUIPEMENT.

La plaque signalétique se trouve à l'intérieur de l'appareil, derrière le panneau frontal. Les pièces de rechange peuvent être commandées soit par l'entremise d'un distributeur de pièces Kintera autorisé, ou d'une agence de service autorisée par Kintera.

Lors d'une commande de pièces, veuillez fournir les numéros de modèle et de série, le numéro de pièce et la description.



N° de réf.	N° de pièce	Description	N° de réf.	N° de pièce	Description
1	GC10001	BRÛLEUR EN FORME DE U	8	GC10008	PIED RÉGLABLE
2	GC10002	PLAQUE FIXE (VEILLEUSE)	9	GC10009	ORIFICE
3	GC10003	VEILLEUSE	10	GC10010-2	BOUTON
4	GC10004	VALVE À GAZ	11	GC10011	TIGE DE VEILLEUSE
5	GC10005	VALVE DE RÉGLAGE DE LA VEILLEUSE	12	GC10012	THERMOSTAT DU GRIL
6	GC10006	TUYAU D'ENTRÉE DU GAZ	*	GC10013-2	CADRAN DU THERMOSTAT DU GRIL
7	GC10007	COLLECTEUR DE GRAS	*	GC10014	PANNEAU FRONTAL
*	GC10003.1	TUBAGE DE VEILLEUSE	*	GC10015	RÉGULATEUR DE PRESSIION

*Le thermostat du grill lisse et le cadran ne sont pas illustrés.

GARANTIE DE L'ÉQUIPEMENT AU GAZ KINTERA

(INCESSIBLE)

Pour des appels sous garantie, faire le (866) 909-2855

Tout nouvel appareil de cuisson au gaz Kintera porte la garantie d'être exempt de défauts de matériaux et de main d'œuvre, sous réserve d'être utilisé et opéré normalement, pendant une période d'un (1) an à partir de la date d'achat initiale, ou de 20 mois après la date d'expédition du fabricant, selon la première éventualité. Tout équipement au gaz installé dans une structure non permanente, comme une cuisine mobile et/ou une roulotte, aura une garantie limitée de trente (30) jours à partir de la date d'achat. Une preuve d'achat est nécessaire. L'équipement est destiné à un usage commercial à l'intérieur seulement.

Cette garantie se limite à la réparation et le remplacement, y compris les frais de main d'œuvre, des pièces et/ou des ensembles défectueux. La main d'œuvre, le déplacement et le kilométrage couverts dans la première année comprennent les frais de main d'œuvre pendant les heures normales et des frais de déplacement de 160 kilomètres (100 milles) aller-retour.

1. Cette garantie est limitée à l'installation initiale d'un nouvel équipement de cuisson au gaz Kintera chez l'utilisateur d'origine aux États-Unis ou au Canada. Cette garantie est incessible.
2. Ce produit DOIT être installé en conformité avec les Codes locaux ou nationaux tels que décrits dans le manuel du propriétaire et de l'installateur.
3. Cette garantie n'est pas applicable à tout équipement qui n'a pas été installé selon les directives publiées dans les manuels d'installation et d'emploi pertinents.
4. Kintera n'assumera aucune responsabilité à l'égard de tout équipement qui aurait été malmené, abusé, mal utilisé ou à de mauvaises fins, soumis à une action chimique brutale, ou à des causes externes, comme des variations gazeuses, des modifications sur les lieux sans l'approbation de Kintera, ou par du personnel non autorisé, installé ou entretenu incorrectement, endommagé par inondation ou par le feu, ou autre force majeure, ou dont les numéros de série auraient été altérés ou manqueraient.
5. Cette garantie ne couvre que les défauts de pièces et de fabrication de l'équipement et non les dommages subis pendant le transport, la manipulation ou dus à une pression gazière excessive.
6. Si l'équipement a été changé, altéré, modifié, ou réparé avec des pièces non autorisées ou par un technicien de service non qualifié par Kintera, alors Kintera ne sera pas tenue responsable de la réclamation sous garantie.
7. Les réglages, comme les calibrages, le nivellement, le serrage des attaches et des raccords de tuyaux, ou des raccordements aux services publics reliés à l'installation originale, relèvent de la responsabilité de l'installateur et non de celle de Kintera. L'entretien régulier et le nettoyage seront sous la responsabilité du client.
8. Kintera prendra à sa charge les frais normaux de main d'œuvre encourus pour la réparation ou le remplacement d'un appareil sous garantie dans un rayon de 50 milles (80 km) d'un agent de service autorisé. Les frais de main d'œuvre en surtemps ou majorés et les frais de déplacement au-delà de 100 milles aller-retour (160 km) ne seront pas pris en charge par Kintera et seront sous la responsabilité de la personne ou de l'entreprise qui a demandé l'intervention du service technique.
9. Les pièces de rechange d'origine achetées porteront une garantie de 90 jours à partir de la date de la facture des pièces. Cette garantie ne couvre que le coût des pièces et ne comprend le transport et les frais de main d'œuvre.
10. Cette garantie constitue l'unique recours contre Kintera, relié à tout ce qui est Kintera, que ce soit par contrat ou en délit civil ou selon toute autre théorie légale, et qu'il découle de garanties, représentations, instructions, installations, ou de défauts de toutes causes. Kintera ne sera pas tenue responsable, sous quelque théorie légale que ce soit, pour les pertes d'utilisation, de revenus ou de bénéfices, ou pour l'usage de remplacement ou de performance, ou pour tout dommage accessoire, indirect, spécial ou immatériel, ou pour toute autre perte de coût de type similaire. Les lois en vigueur dans certaines juridictions limitent ou n'autorisent pas l'exclusion ou la limitation de dommages immatériels. Si les lois en vigueur dans une telle juridiction s'appliquent à toute réclamation par ou contre Kintera, AUCUNE des contraintes et limitations de responsabilité énoncées aux présentes ne sera la partie la plus élevée permise par la loi.
11. La responsabilité de Kintera se limite à la réparation ou au remplacement de toute pièce avérée défectueuse.

CETTE GARANTIE ET LES RESPONSABILITÉS ÉNONCÉES AUX PRÉSENTES SONT EXCLUSIVES ET REMPLACENT TOUTES LES RESPONSABILITÉS ET LES GARANTIES, EXPRESSES OU IMPLICITES, Y COMPRIS MAIS SANS S'Y LIMITER, LES GARANTIES IMPLICITES DE VALEUR MARCHANDE ET D'ADÉQUATION À UN BESOIN PARTICULIER, ET CONSTITUE LA SEULE GARANTIE DE KINTERA TOUCHANT LE OU LES PRODUITS. LA RESPONSABILITÉ DE KINTERA À L'ÉGARD DE TOUTE RÉCLAMATION, Y COMPRIS MAIS SANS S'Y LIMITER, POUR NÉGLIGENCE, N'EXCÉDERA PAS LE PRIX DE L'ÉQUIPEMENT AYANT DONNÉ LIEU À LA RÉCLAMATION.

RÉCLAMATIONS SOUS GARANTIE

Toutes les demandes de service sous garantie doivent être soumises par téléphone au (866) 909-2855 pour obtenir et consentir à un appel de service selon les Conditions de paiement des réclamations sous garantie. Toutes les réclamations de main d'œuvre ou de pièces doivent être présentées directement à Entrée S.A.R.L.

Toutes les réclamations devraient comprendre : Le numéro de répartition, le numéro de modèle de l'appareil, le numéro de série de la base, une preuve d'achat, la date d'installation, et tous les renseignements venant supporter le défaut présumé.

CE QUI N'EST PAS COMPRIS DANS CETTE GARANTIE

La seule obligation de Kintera sous cette garantie se limite à, soit réparer, ou remplacer les pièces, sous réserve des limites additionnelles ci-dessous. Cette garantie n'assume pas, ni n'autorise personne à assumer d'autres obligations que celles expressément couvertes par cette garantie. Le déplacement au-delà d'un rayon de 50 milles aller-retour et de plus de 2 heures n'est pas compris.

AUCUN DOMMAGE INDIRECT. KINTERA N'EST PAS RESPONSABLE DES DOMMAGES MATÉRIELS; PERTES DE BÉNÉFICES; OU DOMMAGES SPÉCIAUX, INDIRECTS, OU IMMATÉRIELUX, Y COMPRIS SANS S'Y LIMITER, LES PERTES OU DOMMAGES DÉCOULANT DES ALIMENTS OU DES RÉCLAMATIONS DE GASPILLAGE DE PRODUITS, QU'ILS AIENT ÉTÉ CAUSÉS OU NON À LA SUITE D'UNE PANNE DE RÉFRIGÉRATION.

LA GARANTIE EST INCESSIBLE. Cette garantie n'est pas cessible et ne s'adresse qu'au profit de l'acheteur/utilisateur d'origine à qui l'équipement a été livré. **TOUTE CESSION OU TRANSFERT DE CE TYPE ANNULERA LES GARANTIES ÉNONCÉES AUX PRÉSENTES ET ANNULERA TOUTES LES GARANTIES EXPRESSES OU IMPLICITES, Y COMPRIS TOUTE GARANTIE DE VALEUR MARCHANDE ET D'ADÉQUATION À UN BESOIN PARTICULIER.**

MAUVAISE UTILISATION. KINTERA N'ASSUME AUCUNE RESPONSABILITÉ TOUCHANT LA GARANTIE DES PIÈCES OU DE LA MAIN D'ŒUVRE DES COMPOSANTS DÉFECTUEUX OU D'AUTRES DOMMAGES RÉSULTANT D'UNE MAUVAISE UTILISATION OU INSTALLATION OU DU MANQUE DE NETTOYAGE ET/OU D'ENTRETIEN DU PRODUIT TEL QUE STIPULÉ DANS LE MANUEL DU PROPRIÉTAIRE LIVRÉ AVEC L'APPAREIL.

DÉMÉNAGEMENT DE L'ÉQUIPEMENT POUR LE RÉPARER : Quelle qu'en soit la raison, Kintera n'est pas responsable des frais encourus pour déplacer l'équipement de l'endroit où il est utilisé chez le client, pour effectuer une réparation sous garantie.

UTILISATION DOMESTIQUE : Kintera n'assume aucune responsabilité pour les pièces et la main d'œuvre des composants défectueux ou d'autres dommages résultant d'une installation non commerciale ou résidentielle.

ALTÉRATION, NÉGLIGENCE, ABUS, MAUVAIS USAGE, ACCIDENT, DOMMAGE PENDANT LE TRANSPORT OU L'INSTALLATION, INCENDIE, INONDATION, FORCE MAJEURE.

Kintera n'assume pas de responsabilité pour la réparation ou le remplacement de toute pièce, si Kintera détermine qu'elle a été soumise, après la date de fabrication, à des altérations, de la négligence, de l'abus, un mauvais usage, un accident, et a subi des dommages pendant le transport ou l'installation, lors d'un incendie, d'une inondation, ou dans un cas de force majeure.

RACCORDEMENTS DE GAZ INCORRECTS. KINTERA N'EST PAS RESPONSABLE DE LA RÉPARATION OU DU REMPLACEMENT DES COMPOSANTS DÉFECTUEUX OU ENDOMMAGÉS À LA SUITE D'UNE PRESSION DE GAZ INCORRECTE OU D'UN MAUVAIS TYPE DE GAZ. CET ÉQUIPEMENT EST DESTINÉ À L'USAGE INTÉRIEUR SEULEMENT.

AUCUNE GARANTIE IMPLICITE DE VALEUR MARCHANDE ET D'ADÉQUATION À UN BESOIN PARTICULIER : IL N'EXISTE AUCUNE AUTRE GARANTIE, EXPRESSE, IMPLICITE OU STATUTAIRE, SAUF LA GARANTIE D'UN AN (1), PIÈCES ET MAIN D'ŒUVRE. CES GARANTIES SONT EXCLUSIVES ET REMPLACENT TOUTES LES AUTRES GARANTIES, Y COMPRIS LA GARANTIE IMPLICITE DE VALEUR MARCHANDE OU D'ADÉQUATION À UN BESOIN PARTICULIER. IL N'Y A PAS D'AUTRES GARANTIES QUI VONT AU-DELÀ DE LA DESCRIPTION ÉNONCÉE AUX PRÉSENTES.

À L'EXTÉRIEUR DES É.-U. : Toute réclamation sous garantie faite à l'égard de produits vendus ou utilisés à l'extérieur des États-Unis et du Canada n'est pas valide, et Kintera n'en est pas responsable.



MANUEL D'INSTALLATION & MODE D'EMPLOI

GRILS LISSES AU GAZ

GAMME DE COMPTOIR

Kintera Equipment, LLC

PO Box 1186

Mansfield MA 02048

Pour le service sous garantie, faire le (866) 909-2855

Enregistrement de la garantie de votre produit en ligne : www.entree.biz

Un produit qui porte le nom de Kintera intègre ce qu'il y a de mieux en matière de durabilité et de faible coût d'entretien. Cependant, nous reconnaissons tous que le remplacement de certaines pièces et à l'occasion, l'appel à un service d'entretien professionnel, peuvent être nécessaires pour prolonger la vie utile de cet appareil. Si une intervention de service devient nécessaire, contactez une agence de service autorisée par Kintera, ou votre détaillant. Pour éviter toute confusion, ayez toujours en main le numéro de modèle et de série, ainsi que le type de votre appareil.



Intertek

4003027

Conforms to ANSI
STD Z83.11-2016
Certified to CSA STD
1.8-2016



Intertek

Conforms to
NSF/ANSI STD.4