



# KF SERIES FRYERS

## Owner's Manual – Installation Guide



Model KF3  
(3 Burner Fryer)



Model KF4  
(4 Burner Fryer)



Model KF5  
(5 Burner Fryer)

### **⚠ WARNING**

Improper installation, adjustment, alteration, service or maintenance can cause property damage, injury or death. Read the installation, operating and maintenance instructions thoroughly before installing or servicing this equipment.

**If installing the fryer with Propane (LP) gas a Commercially Approved Regulator MUST be installed on the fryer in addition to the tank regulator.**

**Units installed without an external appliance regulator will cause damage to parts and will void the warranty.**

## Kintera Equipment, LLC

PO Box 1186

Mansfield MA 02048

Pour le service sous garantie, faire le (866) 909-2855

Enregistrement de la garantie de votre produit en ligne : [www.entree.biz](http://www.entree.biz)

To insure proper warranty record your information here:

Date of Purchase:\_\_\_\_\_

Dealer Purchase from:\_\_\_\_\_

Name of Installer:\_\_\_\_\_ Phone Number:\_\_\_\_\_

Model Number:\_\_\_\_\_

Serial Number:\_\_\_\_\_

FOR WARRANTY SERVICE CALL 866-909-2855

**BE SURE TO HAVE MODEL NUMBER AND SERIAL NUMBER AVAILABLE WHEN CALLING FOR SERVICE OR PARTS.**




**REGISTER YOUR WARRANTY ON LINE AT  
[www.entree.biz](http://www.entree.biz)**

Attached a copy for your proof of purchase here.

## SAFETY PRECAUTIONS

Before installing and operating this equipment, be sure everyone involved in its operation is fully trained and aware of precautions. Accidents and problems can be caused by failure to follow fundamental rules and precautions.

The following symbols, found throughout this manual, alert you to potentially dangerous conditions to the operator, service personnel, or to the equipment.

 <b>DANGER</b>	This symbol warn of immediate hazards that will result in severe injury or death.
 <b>WARNING</b>	This symbol refers to a potential hazard or unsafe practice that could result in injury or death.
 <b>CAUTION</b>	This symbol refers to a potential hazard or unsafe practice that could result in injury, product damage, or property damage.
<b>*NOTICE*</b>	This symbol refers to information that needs special attention or must be fully understood, even though not dangerous.

### **WARNING**

#### FIRE HAZART FOR YOUR SAFETY

Do not store or use gasoline or other flammable vapors and liquids  
in the vicinity of this or any other appliance.  
Keep area around appliances free and clear of combustibles.  
Purchaser of equipment must post in a prominent location,  
detailed instructions to be followed in the event the operator smells gas.  
Obtain the instructions from the local gas supplier.

### **WARNING**

#### BURN HAZARD

Contact with hot oil will cause severe burns. Always use caution. Oil at 200°F is more dangerous  
than boiling water.

### **WARNING**

In the event a gas odor is detected, shut down equipment at the combination gas valve and  
contact local gas company or gas supplier.

### **\*NOTICE\***

Kintera Gas Floor Model Fryers are intended for commercial use only. Not for household or residential use.

Warranty will be void if service work is performed by other than a qualified technician, or if other than Non genuine Kintera replacement parts are installed.

Be sure this Operator's Installer's Manual and important papers are given to the proper authority to retain for future reference.

**Congratulations!** You have purchased one of the finest pieces of commercial cooking equipment on the market.

You will find that your new equipment, like all Kintera equipment, has been designed and manufactured to meet the toughest standards in the industry. Each piece of Kintera equipment is carefully engineered and designs are verified through laboratory tests and field installations. With proper care and field maintenance, you will experience years of reliable, trouble-free operation. For best results, read this manual carefully.

RETAIN THIS MANUAL FOR FUTURE REFERENCE.

## MODELS

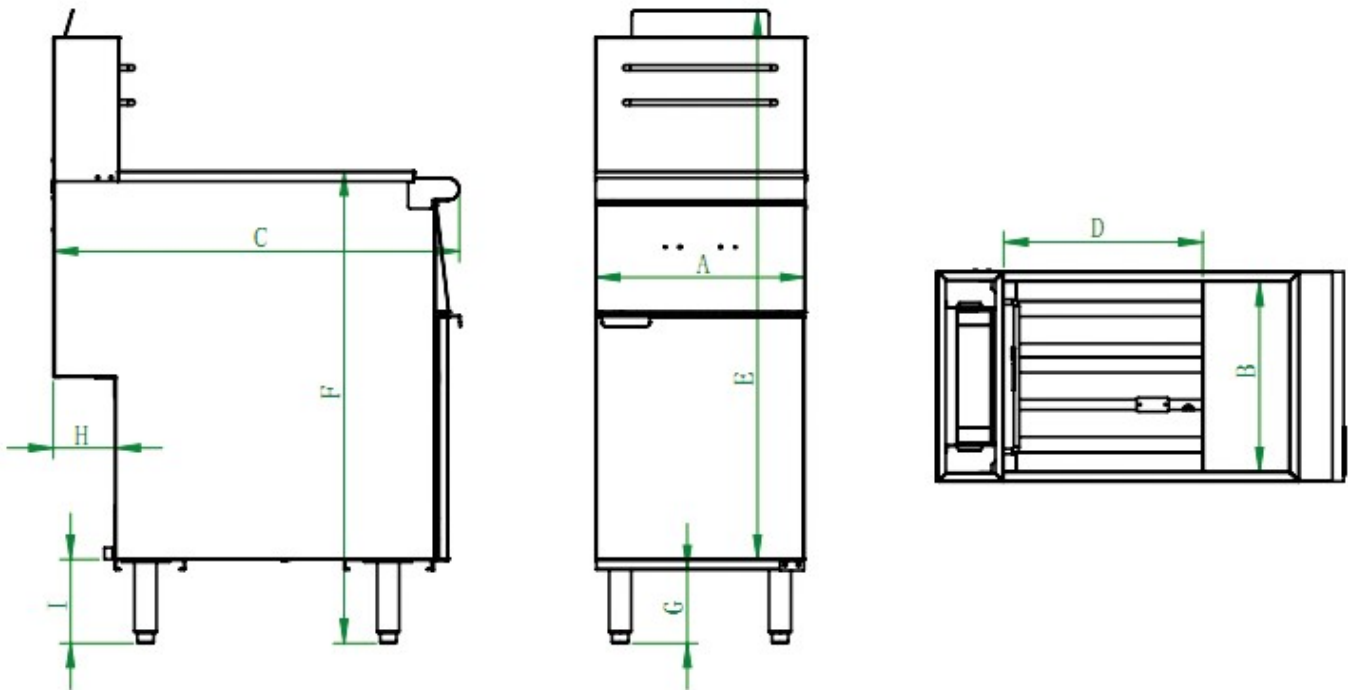
This manual is for Kintera Gas Floor Model Fryers with 35 pound (KF3), 55 pound (KF4), and 85 pound (KF5) capacities. The capacity is described on the serial plate that is located on the inside of the front door.

## TABLE OF CONTENTS

Specifications .....	Page 5
Installation .....	Page 6
Operation.....	Page 12
Cooking Hints .....	Page 14
Cleaning .....	Page 14
Parts.....	Page 16

Read these instructions carefully before attempting installation. Installation and initial startup should be performed by a qualified installer. Unless the installation instructions for this product are followed by a qualified service technician (a person experienced in and knowledgeable with the installation of commercial gas and/or electric cooking equipment) then the terms and conditions on the Manufacturer's Limited Warranty will be rendered void and no warranty of any kind shall apply.

**SPECIFICATION**  
Dimensions



Model	Width (in)		Depth (in)		Height (in)			Gas Connection (in)		Total BTU/Hr	Crated Weight (lbs.)
	A	B	C	D	E	F	G	H	I		
KF3	15.5"	14.0"	30.3"	14.0"	47.2"	34.7"	6.0"	4.2"	7.0"	90,000	169
KF4	15.5"	14.0"	30.3"	14.0"	47.2"	34.7"	6.0"	4.2"	7.0"	120,000	183
KF5	21.0"	18.0"	34.3"	18.0"	47.2"	34.7"	6.0"	4.2"	7.0"	150,000	209

**GAS SUPPLY AND BURNER INFORMATION**

Supply pressure should be a minimum of 6" W.C. for Natural Gas and 12" W/C. for propane. The fryer comes with 3/4" NPT male connector on a 1/2" pipe, allowing you to connect with either a 3/4" or 1/2" NPT female connector.

Model	Gas Type	Manifold Pressure	Number of heat tubes	BTU Rate per Burner	Total BTU Rating	Orifice Size
KF3-N	NATURAL	4" W.C.	3	30,000	90,000	#39
KF3-P	PROPANE	10" W.C.	3	30,000	90,000	#52
KF4-N	NATURAL	4" W.C.	4	30,000	120,000	#39
KF4-P	PROPANE	10" W.C.	4	30,000	120,000	#52
KF5-N	NATURAL	4" W.C.	5	30,000	150,000	#39
KF5-P	PROPANE	10" W.C.	5	30,000	150,000	#52

Minimum supply pressure is 6" W.C. for natural gas and 12"W.C. for propane.  
Orifice sizes are for units installed at altitudes between 0 and 2000 feet above sea level.

## Installation

**\*NOTICE\***

Installation must conform with local codes, or in the absence of local codes, with the National Fuel Gas Code, ANSI Z223.1, Natural Gas Installation Code, CAN/CGA-B149.1, or the Propane Installation Code, CAN/CGA-B149.2, as applicable.

**\*NOTICE\***

These installation procedures must be followed by qualified personnel or warranty will be void. Local codes regarding installation vary greatly from one area to another. The National Fire Protection Association, Inc. states in its NFPA 96 latest edition that local codes are the “authority having jurisdiction” when it comes to installation requirements for equipment.

### Step #1: Unpack

**\*\*IMMEDIATELY INSPECT FOR SHIPPING DAMAGE**

All containers should be examined for damage before and during unloading. The freight carrier has assumed responsibility for safe transit and delivery. If damaged equipment is received, either apparent or concealed, a claim must be made with the delivering carrier.

Apparent damage or loss must be noted on the freight bill at the time of delivery. The freight bill must then be signed by the carrier representative (Driver). If the bill is not signed, the carrier may refuse the claim. The carrier can supply the necessary forms.

A request for inspection must be made to the carrier within 15 days if there is concealed damage or loss that is not apparent until after the equipment is uncrated. The carrier should arrange an inspection.

Be certain to hold all contents plus all packing material.

1. Uncrate carefully. Report any hidden damage to the freight carrier IMMEDIATELY.
2. Do not remove any tags or labels until unit is installed and working properly.

**All Propane (LP) Gas Fryers MUST HAVE AN APPLIANCE REGULATOR INSTALLED in addition to the tank or stage regulator. IF A PROPANE FRYER IS INSTALLED WITHOUT THE CORRECT PRESSURE REGULATOR PARTS WILL BE DAMAGE AND THE WARRANTY WILL BE VOID.**

The appliance regulator must be set to gas pressure between 11” W.C. and 12” W.C.  
Note: There is a pressure regulator “built in” to the combination gas valve, if the incoming pressure is at 10” W.C. or lower this “built in” regulator will act as a restriction and cause incomplete combustion and sooting. If the gas pressure is above 12” W.C. damage could occur to the “built in” pressure regulator and in that case it would have to be replace, this would not be covered by the warranty.

**Step #2: Install the Legs (or Casters) and Restraints**

A set of legs or casters is packed with the fryer. Mounting fasteners are pre-mounted on the base plates.

1. Raise fryer sufficiently to allow legs or casters to be screwed into the base plate. For safety, "shore up" and support the fryer with an adequate blocking arrangement strong enough to support the load.
2. Screw the four legs or casters to the plate on the bottom of the fryer. When casters have been ordered, the casters having a locking-brake should be attached under the front of the fryer.
3. Lower the fryer gently. Never drop or allow the fryer to fall.
4. Use a level to make sure that the fryer is level. Each caster, or the tubular-end of each leg, can be screwed in or out to lower or raise each corner of the fryer.
5. Attach restraints as required by local codes.

**\*NOTICE\***

Unit must be level to assure maximum performance and proper ventilation. Improper leveling may void warranty.

**\*NOTICE\***

When this appliance is installed with casters, it must be installed with the casters supplied, a connector complying with either ANSI Z21.69 CSA 6.16 and a quick-disconnect device complying with ANSI Z21.41 CSA 6.9. It must also be installed with restraining means to guard against transmission of strain to the connector, as specified in the appliance manufacturer instructions.

**⚠WARNING**

When this appliance is installed with casters, it must be installed with the casters supplied, a connector complying with either ANSI Z21.69 or CAN/CGA-6.16 and a quick disconnect device complying with either ANSI Z21.41 or CAN1-6.9. It must also be installed with restraining means to guard against transmission of strain to the connector, as specified in the appliance manufacturer's instructions.

**⚠WARNING**

All fryers must be restrained to prevent tipping in order to avoid the splashing of hot liquid. The means of restraint may be the manner of installation.

**Step #3: Flue Installation**

1. Unpack the flue box and flue wrap



2. Slide the flue box over the flue and secure it with the two self-tapping screws using a 5/16" socket



3. Slide the flue wrap over the flue.      4. Secure it with four self-tapping screws, two on the back and one on each side using a 5/16" socket.





**Step #4: Check Clearances and Ventilation**

Select a firm, level location for your fryer. Leave clearance, whenever possible, so that access from the rear is possible to permit cleaning. If the unit is to be set on non-combustible flooring, such as a concrete slab, 3 inches minimum toe room must be provided to prevent restriction of the air opening in the bottom of the unit.

**⚠ WARNING**

There must be adequate clearance between fryer(s) and construction. Clearance must also be provided in front for servicing and for operation.

Minimum Clearances from Combustible Construction:

Sides:	Six (6) Inches
Rear:	Six (6) Inches

*ALL KINTERA FRYERS SHALL BE INSTALLED WITH AT LEAST A 16 INCH SPACE BETWEEN THE FRYER AND SURFACE FLAMES FROM ADJACENT EQUIPMENT. A FLAME GUARD IS ACCEPTABLE IF ALLOWED UNDER LOCAL CODE.*

*"SUITABLE FOR INSTALLATION ON COMBUSTIBLE FLOORS"*

No additional side and rear clearance is required for service as the fryer is serviceable from the front.

**⚠ WARNING**

Improper ventilation can result in personal injury or death. Ventilation that fails to properly remove flue products can cause headaches, drowsiness, nausea, or could result in death.

Unit Must be installed under a ventilation hood.

All units must be installed in such a manner that the flow of combustion and ventilation air is not obstructed. Provisions for adequate air supply must also be provided. Do NOT obstruct the bottom front of the unit, as combustion air enters through this area. Be sure to inspect and clean the ventilation system according to the ventilation equipment manufacturer's instructions.

Due to the variety of problems that can be caused by outside weather conditions, venting by canopies or wall fans is preferred over any type of direct venting. It is recommended that a canopy extend 6" past the appliance and the bottom edge be located 6'6" from the floor. Filters should be installed at an angle of 45° or more from the horizontal. This position prevents dripping of grease and facilitates collecting the run-off grease in a drip pan, unusually installed with a filter. A strong exhaust fan tends to create a vacuum in the room and may interfere with burner performance or may extinguish pilot flames. Fresh air openings approximately equal to the fan area will relieve such a vacuum. In case of unsatisfactory performance on any appliance, check the appliance with the exhaust fan in the "OFF" position. Do this only long enough to check equipment performance, then turn hood back on and let it run to remove any exhaust that may have accumulated during the test.

The exhaust fan should be installed at least 2 feet above the vent opening at the top of the fryer. Make sure all ventilation meet local code requirement

This unit is not intended to be connected directly to an outside flue.

### Step #5: Gas Connection

A 3/4" male NPT line for the gas connection is located near the lower right rear corner of the fryer. The serial plate (located inside the front door of the fryer) indicates the type of gas the unit is equipped to burn (natural gas or propane). The fryer should be connected **ONLY** to the type of gas for which it is equipped.

A circuit diagram is located inside the front door of the fryer.

All Kintera equipment is adjusted at the factory; however, pilot height should be checked at installation and adjusted, if necessary.

For orifice sizes and pressure regulator settings, see the chart on page 5. If the fryer is being installed at over 2,000 feet altitude and that information was not specified when ordered, contact the appropriate authorized Kintera Service Representative or the Kintera Service Department. Failure to install with proper orifice sizing will result in poor performance and may void the warranty.

If applicable, the vent line from the gas appliance pressure regulator shall be installed to the outdoors in accordance with local codes or, in the absence of local codes, with the National Fuel Gas Code, ANSI Z223.1, Natural Gas Installation Code, CAN/CGA-B149.1, or the Propane Installation Code, CAN/CGA-B149.2, as applicable.

An adequate gas supply is imperative. Undersized or low pressure lines will restrict the volume of gas necessary for satisfactory performance. A combination gas valve and pressure regulator, which is provided with each unit, is set to maintain a 4" W.C. manifold pressure for natural gas or 10.0" W.C. manifold pressure for propane gas. However, to maintain these conditions the pressure on the supply line, when all units are operating simultaneously, should not drop below 7" W.C. for natural gas or 11" W.C. for propane gas. Fluctuations of more than 25% on natural gas or 10% on propane gas will create problems and affect burner operating characteristics. A 1/8" tap to measure the manifold pressure is located on the combination gas valve and on the burner manifold, which is on the burner manifold located directly below the burners inside the cabinet.

Purge the supply line to clean out dust, dirt, or other foreign matter before connecting the line to the unit.

It is recommended that an individual manual shutoff valve be installed in the gas supply line to the unit.

Use pipe joint compound that is suitable for use with both natural and LP gas on all threaded connections.

#### CAUTION

ALL PIPE JOINTS AND CONNECTIONS MUST BE TESTED THOROUGHLY FOR GAS LEAKS. USE ONLY SOAPY WATER FOR TESTING ON ALL GASES. NEVER USE AN OPEN FLAME TO CHECK FOR GAS LEAKS. ALL CONNECTIONS MUST BE CHECKED FOR LEAKS AFTER THE UNIT HAS BEEN PUT INTO OPERATION. **TEST PRESSURE SHOULD NOT EXCEED 12" W.C.**

**CAUTION**

THIS APPLIANCE AND ITS INDIVIDUAL COMBINATION GAS VALVE MUST BE DISCONNECTED FROM THE GAS SUPPLY PIPING SYSTEM DURING ANY PRESSURE TESTING OF THAT SYSTEM AT TEST PRESSURES IN EXCESS OF 14"WC (1/2 PSIG or 3.45 kPa).  
If the incoming gas pressure is in excess of 14"WC (1/2PSI, 3.45 kPa), a proper step-down regulator will be required.

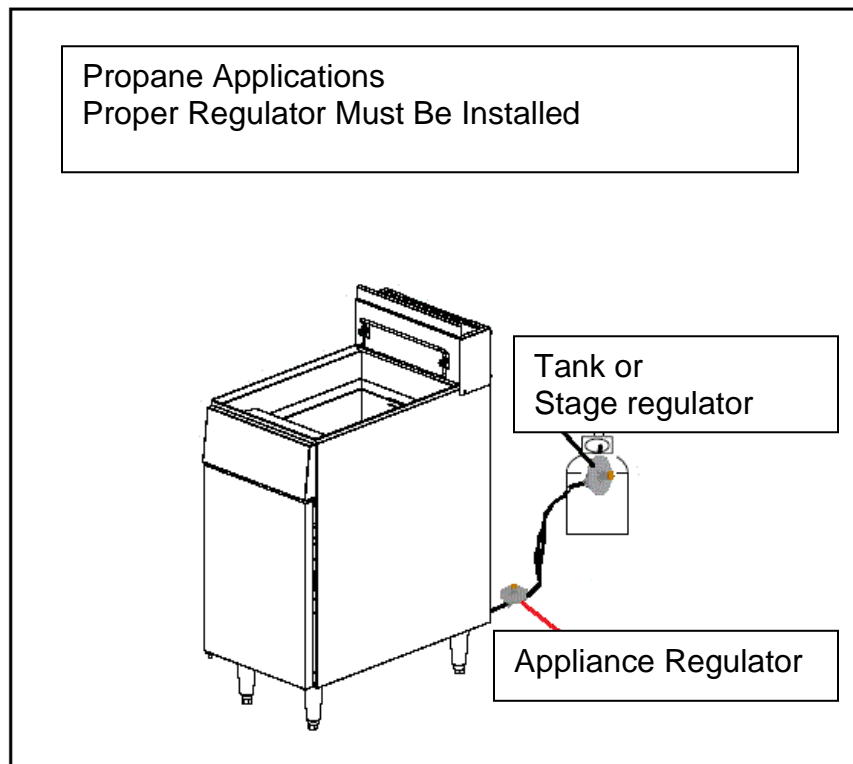
**Step #5: Gas Connection (Continued)**

Connect the gas supply directly to the 3/4" male NPT connector located near the lower left rear corner of the fryer. When tightening the supply pipe, be sure to hold the mating connector extending from the unit securely with a wrench. This will prevent any damage or distortion to the internal piping and controls of the unit.

**WARNING**

**Checking For Gas Leaks:** Using a gas leak detector or a soapy water solution is recommended for locating gas leaks. Matches, candle flame, or other sources of ignition shall not be used for this purpose. Check **entire** piping system including the **internal piping** and **Pipe Union** inside of the fryer for leaks. **DO NOT use an open flame to check for leaks. Check all gas piping for leaks with a soap and water solution before operating the unit.**

After connecting the gas supply, check again that the fryer is level. Use a long spirit level four ways; across the front and rear of the frypot, and along each edge.



**\*NOTICE\***

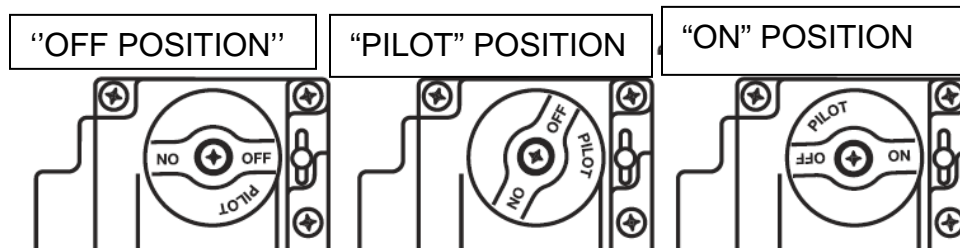
Do not restrict the flow of gas. Use only commercially approved gas appliance connectors OR Flexible Hoses! Non-commercial connectors or Flexible hoses will void your warranty.

**OPERATION****Lighting****CAUTION**

**IF YOU SMELL GAS DURING THE LIGHTING PROCEDURE, IMMEDIATELY SHUT OFF THE GAS SUPPLY UNTIL THE LEAK HAS BEEN CORRECTED!**

Open the burner compartment door and do the following:

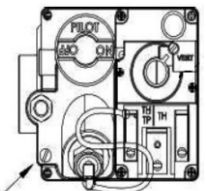
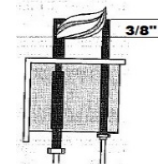
1. Turn thermostat to "OFF"
2. Press down the knob of the combination gas valve, turn it counterclockwise to the "PILOT" position (shown), and continue to press the knob down.



3. While pressing the knob down, use a lit match to ignite the pilot. Continue to press the knob down for about 30 seconds. If the pilot does not stay lit when the knob is released, repeat the lighting procedure and keep the knob down longer. Adjustment of pilot flame may be necessary.
4. When the pilot stays lit, turn the knob counterclockwise to the "ON" position. Do not press down on the knob in this step.
5. Do NOT turn the thermostat "ON" until the frypot is filled with oil or solid shortening.
6. Once the frypot is filled with shortening, set the thermostat to the desired temperature.

**Pilot Burner Adjustment**

1. Remove pilot adjustment cap.
2. Adjust pilot key to provide properly sized flame on the thermopile. The flame should cover the upper 3/8" of the tip.
3. Replace pilot adjustment cap.



Pilot adjustment  
Under this screw

## FILLING THE FRYPOT

1. Close drain valve completely before filling the frypot.
2. When the fryer is new, fill the frypot with water and clean thoroughly (see "Weekly Cleaning" on page 15) in order to remove protective coatings and any foreign matter.
3. The recommended solid shortening capacity for the frypot (35, 55 or 75lbs) is described on the serial plate (which is located inside the front door).
4. Remove the basket support frame when filling the frypot with solid shortening.
5. When solid shortening is used, be careful not to bend, break, or twist the thin capillary wires of the sensing elements located in the frypot.
6. Pack solid shortening into the zone below the tubes, all spaces between the tubes, and at least an inch above the top of the tubes before lighting the fryer. If any air spaces are left around the heat tube surfaces when the heat is turned on, the tube surfaces will become red hot, burn the solid shortening, weaken the frypot, and could result in a fire.



*NEVER ATTEMPT TO MELT A SOLID BLOCK OF SHORTENING ON TOP OF THE HEAT TUBES. NEVER START THE BURNERS WHEN THE FRYPOT IS EMPTY. THIS WILL CAUSE CRACKED SEAM WELDS AND YOUR FRYER WILL LEAK COOKING OIL, THIS IS AN UNSAFE CONDITION*

7. To prevent burning or scorching the solid shortening, keep the thermostat set at the lowest temperature until all the solid shortening between and above the tubes has been melted. Additional solid shortening can then be added until the desired frying depth has been reached.
8. Replace the basket support frame over the frypot heat tubes.

## RELIGHTING



In the event of a main burner ignition failure, a five minute purge period must be observed prior to re-establishing the ignition source.

1. Shut off all gas.
2. Wait five minutes.
3. Follow the "Lighting" procedure described on page 12.

## AUTOMATIC PILOT VALVE

The Automatic Pilot Valve provides an automatic safety shutoff for the fryer when the pilot flame is extinguished. When the pilot flame is burning, the valve is held open electromagnetically by the electrical current from a thermopile in the pilot flame. When the pilot flame goes out, generation of current ceases and the valve closes automatically.

## HIGH LIMIT CONTROL

Kintera Fryers are equipped with a secondary heat control that prevents the oil temperature from rising above 450°F. (Because of the accuracy tolerance of the sensor, the oil temperature may reach as high as 475°F.)

In the event the fryer shuts down due to this condition, the oil must be cooled to below 400°F before the pilot burner can be re-ignited. When the oil has cooled, use the “Lighting” procedure on page 12 to place the fryer back in operation. If the problem persists, contact your Kintera Service Representative or the Kintera Service Department.

## COOKING HINTS

### USER TIPS

- Smoking oil means that the temperature is too high, or that the oil has broken down. Time to filter or replace.
- Gum in frypot denotes a need for thorough cleaning (see “Weekly Cleaning” on page 15)
- Use different oil for oily foods (mackerel, nutmeg, etc.) other than for foods with water-soluble flavors (potatoes, onions, etc.).
- Taste cool oil for quality. Replace it regularly.
- Remember, good oil produces good food.

## CLEANING

Kintera equipment is constructed with the best quality materials and is designed to provide durable service when properly maintained. To expect the best performance, your equipment must be maintained in good condition and cleaned daily. Naturally, the frequency and extent of cleaning depends on the amount and degree of usage.

Following daily and more extensive periodic maintenance procedures will increase the life of your equipment. Climatic conditions (e.g., salt air) may result in the need for more thorough and more frequent cleaning in order to keep equipment performing at optimal levels.

### **⚠ WARNING : BURN HAZARD**

If necessary to move the fryer for cleaning, etc., allow to completely cool, drain the oil first to avoid death or serious injury.

### **⚠ WARNING**

If disconnection of the restraint is necessary to move the appliance for cleaning, etc., reconnect it when the appliance is moved to its originally installed position.

**DAILY CLEANING**

1. Turn thermostat knob to "OFF" position.
2. Place hot-oil safe container under the drain and drain the frypot completely.
3. Remove the basket support frame (if applicable) and flush out any sediment remaining in the frypot with a little hot oil.
4. Wipe off the basket support frame and the inside of the frypot with a clean cloth.



**SOME AREAS OF THE FRYPOT MAY BE HOT!**

**DAILY CLEANING (Continued)**

5. Close drain valve and strain the oil back into the frypot through several thicknesses of cheesecloth, or filter it back using a filter machine.
6. Replace the basket support frame (if applicable)
7. Add oil or shortening to MIN oil level mark on rear of frypot.
8. To resume cooking, turn the combination gas valve knob to "ON" position.

**WEEKLY CLEANING**

1. Follow steps 1 through 4 of the Daily Cleaning procedure (see previous section).
2. Close drain valve and fill frypot with a solution of warm water and boil-out compound.
3. Relight the fryer and bring the solution to a gentle boil for at least five minutes.
4. Turn off main burners and let the solution stand until the gum deposits are softened and the carbon spots and burned grease spots can be rubbed off.
5. Scrub the frypot walls and heat tubes, then drain out frypot and rinse it with clean water.
6. Refill the frypot with clean water and boil again.
7. Turn off gas and drain and rinse well until clean.
8. Wipe dry with a clean cloth.
9. Refill as specified in the "Filling the Frypot" section (see page 13).

**MONTHLY CLEANING**

1. Perform the Weekly Cleaning procedure (see previous section).
2. Clean around burner and orifices if lint has accumulated.
3. Visually check that burner carry-over ports are unobstructed.

**CLEANING STAINLESS STEEL SURFACES**

To remove normal dirt, grease and product residue from stainless steel use ordinary soap and water (with or without detergent) applied with a sponge or cloth. Dry thoroughly with a clean cloth. Never use vinegar or any corrosive cleaner.

To remove grease and food splatter or condensed vapors that have baked on the equipment apply cleanser to a damp cloth or sponge and rub cleanser on the metal in the direction of the polishing lines on the metal. Rubbing cleanser, as gently as possible, in the direction of the polished lines will not mar the finish of the stainless steel. NEVER RUB WITH A CIRCULAR MOTION. Soil and burnt deposits that do not respond to the above procedure can usually be removed by rubbing the surface with SCOTCH-BRITE scouring pads or STAINLESS scouring pads. DO NOT USE ORDINARY STEEL WOOL, as any particles left on the surface will rust and further spoil the appearance of the finish. NEVER USE A WIRE BRUSH, STEEL SCOURING PADS (EXCEPT STAINLESS), SCRAPER, FILE OR OTHER STEEL TOOLS. Surfaces that are marred collect dirt more rapidly and become more difficult to clean. Marring also increases the possibility of corrosive attack. Refinishing may then be required.

Darkened areas, called "heat tint," sometimes appear on stainless steel surfaces where the area has been subjected to excessive heat. These darkened areas are caused by thickening of the protective surface of the stainless steel and are not harmful. Heat tint can normally be removed by the above cleaning techniques, but tint which does not respond to that procedure calls for a vigorous scouring in the direction of the polish lines, using SCOTCH-BRITE scouring pads or a STAINLESS scouring pad in combination with a powered cleanser. Heat tint action may be lessened by not applying or by reducing, heat to



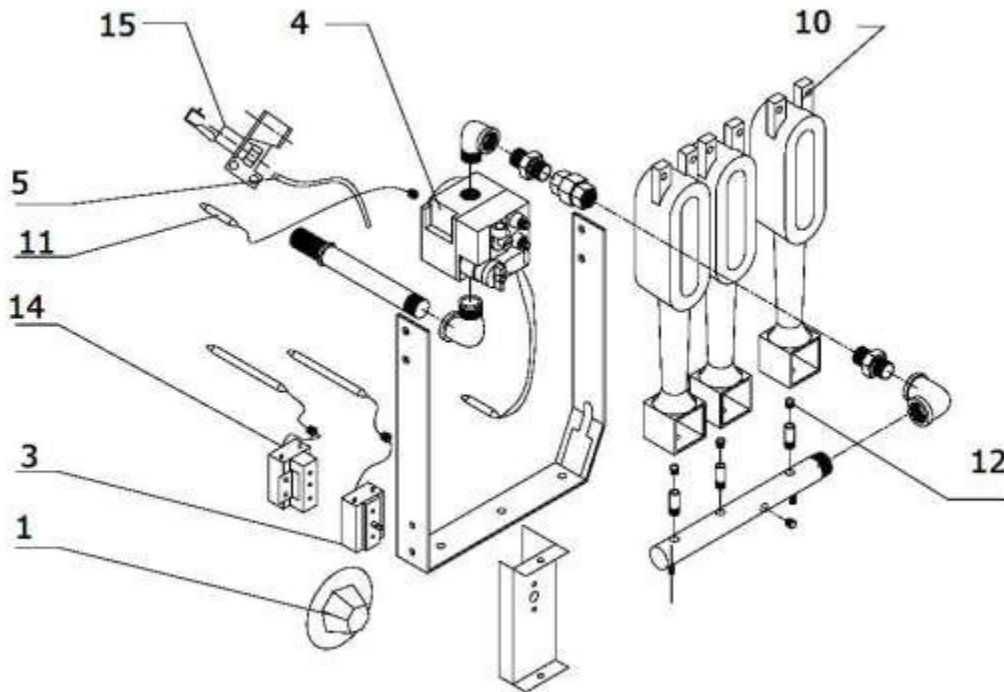
## PARTS

### \*NOTICE\*

Installation of other than genuine Entrée parts will void the warranty on this equipment.

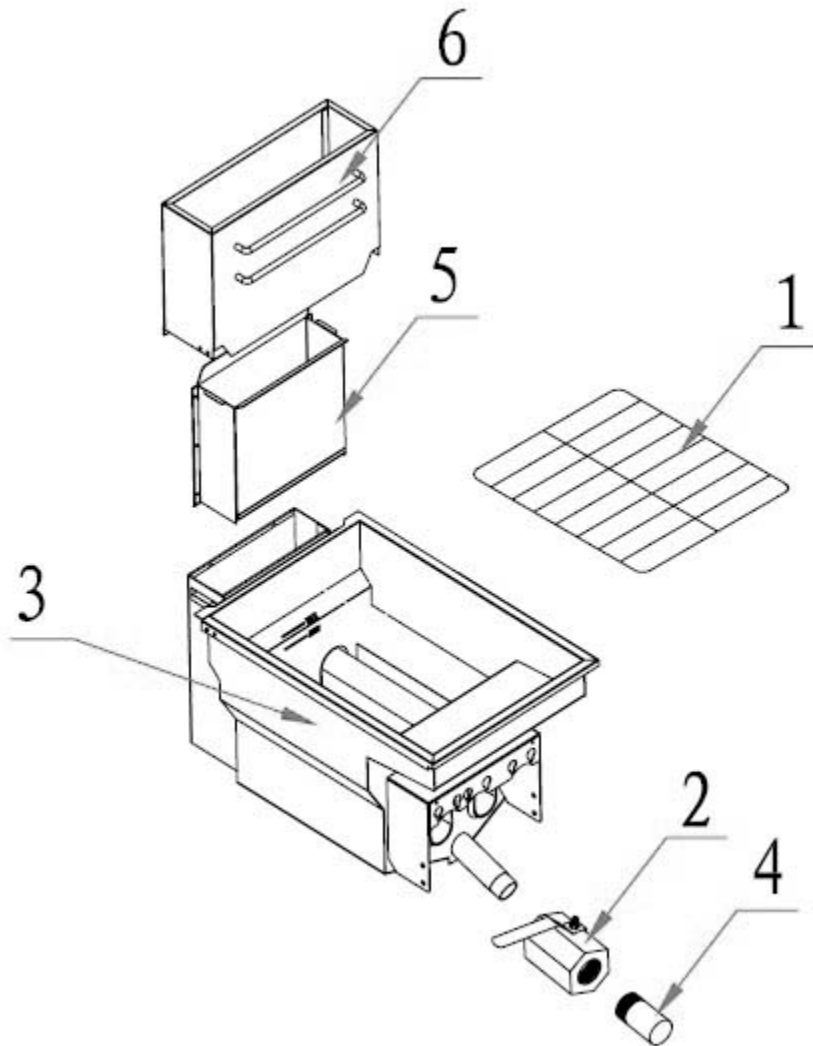
The serial plate is located inside the front door on the left side.

Replacement parts may be ordered through an Kintera Authorized Parts Distributor. When ordering parts, please have the Model Number and Serial Number of your fryer, Part Number and Description.

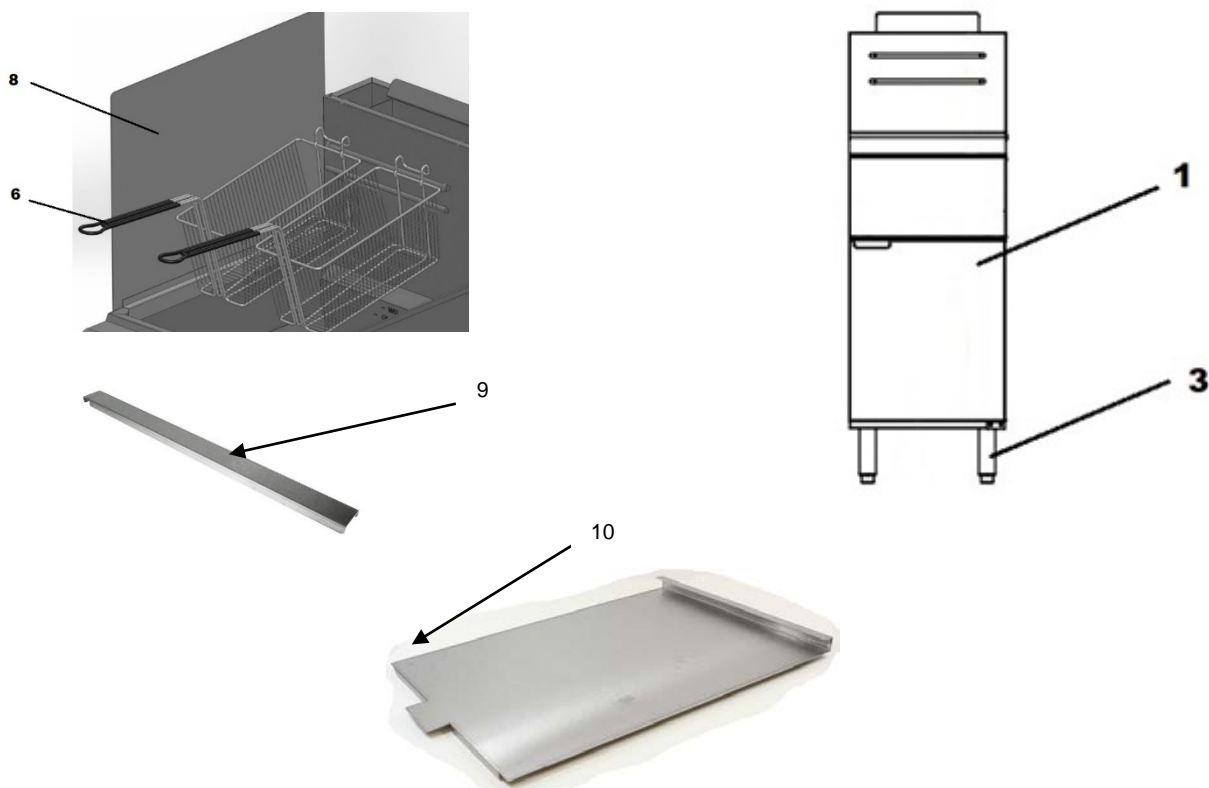


No.	Part #	Description	KF3	KF4	KF5
1	400045	Thermostat Knob	1	1	1
3	400044	Regulating Thermostat, 200°F to 400°F	1	1	1
4	400042	Combination Gas Valve (Natural)	1	1	1
	400146	Combination Gas Valve (Propane)	*	*	*
5	400070	Flexible Pilot Tubing, 1/4"	1	1	1
10	300036	Right Fryer Burner	1	1	1
	300037	Center Fryer Burner	1	2	3
	300038	Left Fryer Burner	1	1	1
11	400043	Thermopile	1	1	1
12	300034	Main Burner Orifice #39 (Natural)	3	4	5
	300035	Main Burner Orifice #52 (Propane)	*	*	*
	300045	Orifice Extension	3	4	5
14	400046	Safety High Limit (450°F)	1	1	1
15	400047	Pilot 3-Way (Natural)	1	1	1
	400048	Pilot 3-Way (Propane)	*	*	*

**PARTS (CONTINUED)**



No.	Part #	Description	KF3	KF4	KF5
1	400037	Basket Support	1	1	
	400058	Basket Support			1
2	400036	Drain Valve, (Ball Style)	1	1	1
3	C200016	Fry Tank Only	1		
	C200017	Fry Tank Only		1	
	C200056	Fry Tank Only			1
4	400071	Drain Extension	1	1	1
5	400075	Flue Top	1		
	400076	Flue Top		1	
	400077	Flue Top			1
6	400078	Flue Wrap	1	1	
	400079	Flue Warp			1



No.	Part #	Description	KF3	KF4	KF5
1	100106	Door Assembly Complete	1	1	
	100137	Door Assembly Complete			1
	300032	Door Magnet	1	1	1
3	400147	6" Adjustable Leg	4	4	4
	266001-1	Caster Kit, (2 Front Swivel w/Brake, 2 Rear Fixed)	OPT	OPT	OPT
6	400057	Fry Basket (13.25" L x 6.5" W x 6" D)	2	2	
	400039	Fry Basket (17.5" L x 9.25" W x 6" D)			2
8	400072	FLAME GUARD (OPTIONAL)			
9	266863-2	FRYER TO FRYER CONNECTOR STRIP (OPTIONAL)	1	1	
	266863-3	FRYER TO FRYER CONNECTOR STRIP (OPTIONAL)			1
10	266211-1	FRY TANK COVER (OPTIONAL)	1	1	
	266211-2	FRY TANK COVER (OPTIONAL)			1

## KINTERA GASEQUIPMENTWARRANTY (NON-TRANSFERABLE)

### For Warranty Service Call 866-909-2855

All new Kintera Gas Cooking Equipment is warranted to be free from defects in material and workmanship under normal use and service for a period of one (1) year from the date of original purchase, or 20 months after shipment date from the manufacturer, whichever occurs first. Any gas cooking equipment installed in a non-permanent structure, such as a mobile kitchen and/or trailer shall have a thirty (30) days limited warranty from the date of purchase. Proof of purchase required. Intended for indoor commercial use only.

This is limited to the repair and replacement, including labor charges of defective parts and/or assemblies. Labor, travel and mile age covered for the first year include straight time labor charges and travel charges within 100 miles, round trip.

1. This warranty is limited to original installation of new Kintera Gas Cooking Equipment for the original user in the United States or Canada. This warranty is not transferable.
2. This product MUST be installed per Local and National Codes as described in the Owner's/Installers Manual.
3. This warranty does not apply to any equipment that has not been installed in accordance with the directions published in the appropriate installation and operation manuals.
4. Kintera will bear no responsibility or liability for any equipment which has been mishandled, abused, misapplied, misused, subjected to harsh chemical action, or external causes such as gas fluctuations, field modified without the approval of Kintera, or by unauthorized personnel, improperly installed or maintained, equipment damaged by flood, fire, or other acts of God, or which have altered or missing serial numbers.
5. This warranty applies only to defects in parts and workmanship in equipment and not damage incurred in shipping, handling or excessive incoming gas pressure.
6. If the equipment has been changed, altered, modified, or repaired with parts not authorized or by a nonqualified Kintera Service Technician, then Kintera shall not be responsible for warranty claim.
7. Adjustments such as calibrations, leveling, tightening off Fasteners and pipe unions, or utility connections normally associated with original installation are the responsibility of installer and not that of Kintera. Regular maintenance and cleaning shall be the responsibility of the customer.
8. Kintera will bear normal labor charges incurred in the repair or replacement of a warranted piece of equipment within 50 miles of an authorized service agent. Overtime, premium labor charges and travel charges in excess of 100 miles round trip will not be covered by Kintera and will be the responsibility of the person or firm requesting the service.
9. Original purchased replacement parts will be warranted for 90 days from the parts invoice date. This warranty is for parts cost only and does not include freight or labor charges.
10. This warranty provides the exclusive remedy against Kintera relating to all Kintera, whether in contract or in tort or under any other legal theory and whether arising out of warranties, representations, instructions, installations, or defects from any cause. Kintera shall not be liable, under any legal theory, for loss of use, revenue or profit, or for substitute use or performance, or for incidental, indirect, or special or consequential damages, or for any other loss of cost of similar type. The laws of some jurisdictions limit or do not allow the disclaimer of consequential damages. If the laws of such a jurisdiction apply to any claim by or against Kintera, NO limitations and disclaimers contained here shall be the greatest extent permitted by law.
11. The liability of Kintera is limited to the repair or replacement of any part found to be defective.

THIS WARRANTY AND THE LIABILITIES SET FORTH HEREIN ARE EXCLUSIVE AND IN LIEU OF ALL OF THEIR LIABILITIES AND WARRANTIES, EXPRESS OR IMPLIED, INCLUDING BUT NOT LIMITED TO, IMPLIED WARRANTIES OF MERCHANTABILITY AND FITNESS FOR PARTICULAR PURPOSE AND CONSTITUTES THE ONLY WARRANTY OF KINTERA WITH RESPECT TO THE PRODUCT(S). KINTERA LIABILITY ON ANY CLAIM, INCLUDING BUT NOT LIMITED TO NEGLIGENCE, SHALL NOT EXCEED THE PRICE OF THE EQUIPMENT THAT GIVES RISE TO THE CLAIM.

**WARRANTY CLAIMS**

All requests for Warranty Service must be called into 866-909-2855 to obtain and agree to service dispatch with Warranty Claim Payment Terms. All claims for labor or parts must be made directly through Entrée L.L.C.

All claims should include: Dispatch number, model number of the unit, the serial number of the cabinet, proof of purchase, date of installation, and all pertinent information supporting the existence of the alleged defect.

**WHAT IS NOT COVERED BY THIS WARRANTY**

Kintera sole obligation under this warranty is limited to either repair or replacement of parts, subject to the additional limitations below. This warranty neither assumes nor authorizes any person to assume obligations other than those expressly covered by this warranty. Travel beyond 50 miles round trip and more than 2 hours round trip.

**NO CONSEQUENTIAL DAMAGES. KINTERA IS NOT RESPONSIBLE FOR ECONOMIC LOSS; PROFIT LOSS; OR SPECIAL, INDIRECT, OR CONSEQUENTIAL DAMAGES, INCLUDING WITHOUT LIMITATION, LOSSES OR DAMAGES ARISING FROM FOOD OR PRODUCT SPOILAGE CLAIMS WHETHER OR NOT ON ACCOUNT OF REFRIGERATION FAILURE.**

**WARRANTY IS NOT TRANSFERABLE.** This warranty is not assignable and applies only in favor of the original purchaser/user to whom delivered. **ANY SUCH ASSIGNMENT OR TRANSFER SHALL VOID THE WARRANTIES HEREIN MADE AND SHALL VOID ALL WARRANTIES, EXPRESS OR IMPLIED, INCLUDING ANY WARRANTY OF MERCHANTABILITY OR FITNESS FOR A PARTICULAR PURPOSE.**

**IMPROPER USAGE. KINTERA ASSUMES NO LIABILITY FOR PARTS OR LABOR COVERAGE FOR COMPONENT FAILURE OR OTHER DAMAGES RESULTING FROM IMPROPER USAGE OR INSTALLATION OR FAILURE TO CLEAN AND/OR MAINTAIN PRODUCT AS SET FORTH IN THE OWNER'S MANUAL PROVIDED WITH THE UNIT.**

**RELOCATION OF EQUIPMENT FOR REPAIR:** Kintera is not responsible for the cost to move the unit for any reason from its position of operation on the customer's premises to make a warranty repair.

**RESIDENTIAL APPLICATIONS:** Kintera assumes no liability for parts or labor coverage for component failure or other damages resulting from installation in non-commercial or residential applications.

**ALTERATION, NEGLIGENCE, ABUSE, MISUSE, ACCIDENT, DAMAGE DURING TRANSIT OR INSTALLATION, FIRE, FLOOD, ACTS OF GOD.**

Kintera is not responsible for the repair or replacement of any parts that Kintera determines have been subjected after the date of manufacture to alteration, neglect, abuse, misuse, accident, damage during transit or installation, fire, flood, or act of God.

**IMPROPER GAS CONNECTIONS. KINTERA IS NOT RESPONSIBLE FOR THE REPAIR OR REPLACEMENT OF FAILED OR DAMAGED COMPONENTS RESULTING FROM INCORRECT PRESSURE OR TYPE OF GAS. THIS EQUIPMENT IS INTENDED FOR INDOOR USE ONLY.**

**NO IMPLIED WARRANTY OF MERCHANTABILITY OR FITNESS FOR A PARTICULAR PURPOSE:** THERE ARE NO OTHER WARRANTIES, EXPRESSED, IMPLIED OR STATUTORY, EXCEPT THE ONE (1) YEAR PARTS & LABOR WARRANTY. THESE WARRANTIES ARE EXCLUSIVE AND IN LIEU OF ALL OTHER WARRANTIES, INCLUDING IMPLIED WARRANTY AND MERCHANTABILITY OR FITNESS FOR A PARTICULAR PURPOSE. THERE ARE NO WARRANTIES WHICH EXTEND BEYOND THE DESCRIPTION ON THE FACE HEREOF.

**OUTSIDE U.S.:** This warranty does not apply to, and Kintera is not responsible for, any warranty claims made on products sold or used outside the United States and Canada.



(This page intentionally left blank)



## Kintera Equipment, LLC

PO Box 1186

Mansfield MA 02048

FOR WARRANTY SERVICE CALL 866-909-2855

Register your product warranty online at: [www.entree.biz](http://www.entree.biz)

A product with the Kintera name incorporates the best in durability and low maintenance. We all recognize, however, that replacement parts and occasional profession service may be necessary to extend the useful live of this unit. When service is needed, contact a Kintera Authorized Service Provider, or your equipment dealer. To avoid confusion, always refer to the model number, serial number and the type of your unit. Thank You!



Conforms to ANSI  
STD Z83.11-2016  
Certified to CSA  
STD 1.8-2016  
Conforms to  
NSF/ANSI STD 4





## FRITEUSES DE LA GAMME KF

### Manuel du propriétaire – Guide d'installation



Modèle KF3  
(Friteuse à 3 brûleurs)



Modèle KF4  
(Friteuse à 4 Brûleurs)



Modèle KF5  
(Friteuse à 5 Brûleurs)

#### **⚠ AVERTISSEMENT**

Toute installation, réglage, modification, entretien ou réparation faits incorrectement peuvent entraîner des dommages matériels, des blessures ou la mort. Lire ce manuel attentivement avant d'installer ou d'entretenir cet équipement.

**Si cet appareil est installé pour fonctionner au gaz GPL, un régulateur approuvé commercialement DOIT être installé sur la friteuse, en plus de celui de la cuve.**

**Les pièces des appareils installés sans régulateur externe seront endommagées et la garantie sera annulée.**

## Kintera Equipment, LLC

PO Box 1186

Mansfield MA 02048

Pour le service sous garantie, faire le (866) 909-2855

Enregistrement de la garantie de votre produit en ligne : [www.entree.biz](http://www.entree.biz)

Pour être sûr de votre garantie, consignez vos informations ici :

Date d'achat : \_\_\_\_\_

Nom du détaillant vendeur : \_\_\_\_\_

Nom de l'installateur : \_\_\_\_\_ N° de téléphone : \_\_\_\_\_

N° de modèle : \_\_\_\_\_

No de série : \_\_\_\_\_

Pour le service sous garantie, faire le (866) 909-2855

**ASSUREZ-VOUS D'AVOIR EN MAIN LES NUMÉROS DE MODÈLE ET DE SÉRIE LORSQUE VOUS APPELEZ LE SERVICE DE L'ENTRETIEN OU DES PIÈCES DE RECHANGE.**





**ENREGISTREZ VOTRE GARANTIE EN LIGNE À  
[www.entree.biz](http://www.entree.biz)**

Annexez une copie de votre preuve d'achat ici.

**MESURES DE SÉCURITÉ**

Avant d'installer et d'opérer cet appareil assurez-vous que tous les gens qui le feront fonctionner soient parfaitement formés et au fait des mesures de sécurité. Des accidents et des problèmes peuvent survenir par manque de suivi des règles et des précautions fondamentales.

Les symboles suivants que vous trouverez dans ce manuel vous signalent des conditions potentiellement dangereuses pour les opérateurs, le personnel du service, ou pour l'équipement.

 <b>DANGER</b>	Ce symbole vous avertit des dangers immédiats qui entraîneront de graves blessures ou la mort.
 <b>AVERTISSEMENT</b>	Ce symbole sert à indiquer la présence d'un danger latent ou d'une pratique dangereuse qui pourraient entraîner des blessures ou la mort.
 <b>PRUDENCE</b>	Ce symbole sert à indiquer la présence d'un danger latent ou d'une pratique dangereuse qui pourraient entraîner des blessures, des dommages au produit, ou des dommages matériels.
 <b>* AVIS</b>	Ce symbole vous informe à propos d'une situation qui demande une attention spéciale ou qui doit être pleinement comprise, même si elle n'est pas dangereuse.

**⚠ AVERTISSEMENT****DANGER D'INCENDIE POUR VOTRE SÉCURITÉ**

Ne pas ranger ni utiliser de l'essence ou tout autre vapeur ou liquide inflammables près de cet appareil ou de tout autre appareil. Maintenez la zone autour des appareils libre et exempte de matériaux combustibles. L'acheteur de l'appareil doit afficher dans un endroit bien en vue les instructions précises à suivre en cas de senteurs de gaz. On peut se procurer ces informations auprès du fournisseur de gaz local.

**⚠ AVERTISSEMENT****RISQUE DE BRÛLURES**

Le contact avec l'huile bouillante risque d'entraîner de graves brûlures. Soyez toujours prudent. L'huile chauffée à 200°F (93°C) est plus dangereuse que l'eau bouillante.

**⚠ AVERTISSEMENT**

En cas de détection d'une senteur de gaz, arrêtez l'équipement par la valve à gaz multi fonctions et contactez l'entreprise de gaz locale ou le fournisseur de gaz.

**\* AVIS**

Les friteuses autonomes au gaz de Kintera sont destinées à un usage commercialeseulement, et non pour un usage domestique ou résidentiel.

La garantie sera annulée si des opérations d'entretien sont effectuées par des tiers autres que des techniciens qualifiés, ou si des pièces de rechange autres que les pièces Kintera d'origine sont utilisées.

Assurez-vous que le manuel d'installation et mode d'emploi et les documents importants soient remis à l'autorité compétente pour les conserver pour références ultérieures.

Félicitations ! Vous venez de faire l'acquisition de l'un des meilleurs appareils de cuisson commercial sur le marché.

## FRITEUSES AUTONOMES KINTERA AU GAZMODE D'EMPLOI & GUIDE D'INSTALLATION

Vous allez découvrir que votre nouvel équipement, comme tous ceux de Kintera, a été conçu et fabriqué pour répondre aux plus rigoureux standards de l'industrie. Tous les équipements de Kintera ont été conçus soigneusement et leurs designs ont été testés en laboratoire et auprès d'installations chez des clients. Si vous l'entretenez correctement dans votre entreprise, vous allez vivre une expérience vous offrant des rendements fiables et sans problèmes pendant des années. Pour obtenir les meilleurs résultats, lisez soigneusement ce manuel.

CONSERVEZ CE MANUEL POUR RÉFÉRENCES FUTURES

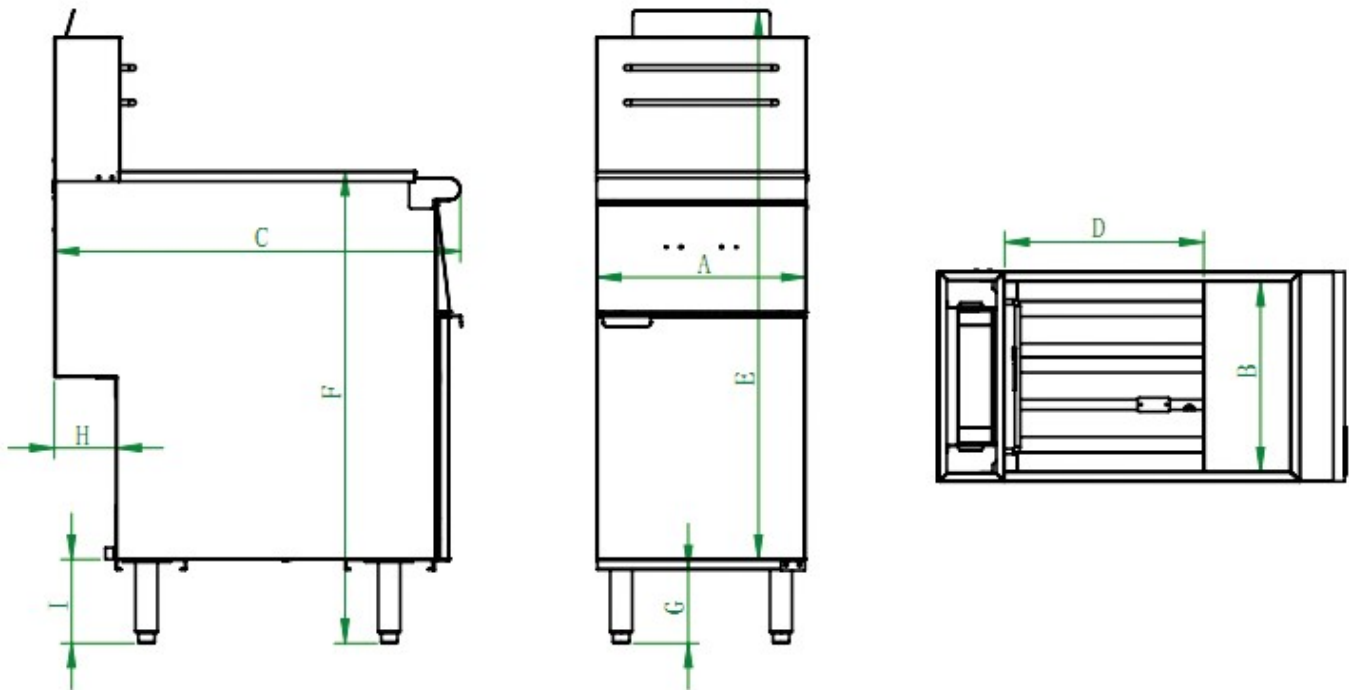
### MODÈLES

Ce manuel couvre les friteuses au gaz autonomes Kintera d'une capacité de 35 lb (KF3), 55 lb (KF4), et 85 lb (KF5). La capacité est indiquée sur la plaque signalétique qui se trouve à l'intérieur de la porte frontale.

### TABLE DES MATIÈRES

Caractéristiques -----	Page 29
Installation -----	Page 30
Opération -----	Page 36
Conseils de cuisson -----	Page 38
Nettoyage -----	Page 38
Pièces de rechange -----	Page 40

Lisez soigneusement ces instructions avant d'entreprendre l'installation. L'installation et la mise en service initiales devraient être faites par un installateur qualifié. Si les consignes d'installation de ce produit ne sont pas observées par un technicien de service qualifié (une personne d'expérience et compétente dans l'installation d'équipement de cuisson au gaz ou à l'électricité), alors les conditions de la garantie limitée du fabricant seront frappées de nullité et aucune garantie quelle qu'elle soit ne sera applicable.

**CARACTÉRISTIQUES****Dimensions**

Modèle	Largeur (po)		Profondeur (po)		Hauteur (po)			Raccordement du gaz (po)		BTU/H totaux	Poids embarqué (lb)
	A	B	C	D	E	F	G	H	I		
KF3	15,5	14,0	30,3	14,0	47,2	34,7	6,0	4,2	7,0	90000	169
KF4	15,5	14,0	30,3	14,0	47,2	34,7	6,0	4,2	7,0	120000	183
KF5	21,0	18,0	34,3	18,0	47,2	34,7	6,0	4,2	7,0	150000	209

**ALIMENTATION DU GAZ ET INFORMATION TOUCHANT LES BRÛLEURS**

La pression minimale d'arrivée devrait se situer à 6 po CE pour le gaz naturel et 12 po CE pour le gaz propane. La friteuse est livrée avec un raccord mâle de  $\frac{3}{4}$  po NPT sur tuyau de  $\frac{1}{2}$  po, ce qui permet de la raccorder, soit à un raccord femelle de  $\frac{3}{4}$ , ou bien de  $\frac{1}{2}$  po.

Modèle	Type de gaz	Pression au manifold	Nombre d'échangeurs de chaleur	Taux de BTU par brûleur	BTU totaux	Taille de l'orifice
KF3-N	NATUREL	4 CE	3	30000	90000	#39
KF3-P	PROPANE	10 CE	3	30000	90000	#52
KF4-N	NATUREL	4 CE	4	30000	120000	#39
KF4-P	PROPANE	10 CE	4	30000	120000	#52
KF5-N	NATUREL	4 CE	5	30000	150000	#39
KF5-P	PROPANE	10 CE	5	30000	150000	#52

La pression minimale d'arrivée est de 6 po CE pour le gaz naturel et de 12 po CE pour le gaz propane  
La taille des orifices convient à des appareils installés à des altitudes se situant entre 0 et 2 000 pi au-dessus du niveau de la mer.

## Installation

### \* AVIS

L'appareil doit être installé en conformité avec les Codes locaux, ou en l'absence de ceux-ci, avec le Code national des gaz combustibles, norme ANSI Z223,1/NFPA 54, et ACNOR-B149,1 pour le gaz naturel, ou le cas échéant, le Code d'installation du gaz propane, ACNOR-B149,2.

### \* AVIS

Ces procédures d'installation doivent être observées par un personnel qualifié ou la garantie sera nulle. Les codes locaux en matière d'installation varient beaucoup d'une région à l'autre. L'Association nationale de protection contre les incendies précise dans l'édition la plus récente de la norme NFPA96 que les codes locaux sont « L'autorité compétente » touchant les exigences requises dans l'installation d'équipement.

### Étape n° 1 : Le déballage

#### \*\* INSPECTER IMMÉDIATEMENT POUR DÉCELER DES DOMMAGES SURVENUS PENDANT LE TRANSPORT

Tous les contenants devraient être examinés avant et pendant le déchargement pour voir s'ils ont été endommagés. Le transporteur s'est rendu responsable d'un transport et d'une livraisonsûrs. Si vous recevez de l'équipement endommagé, que ce soit apparent ou caché, une réclamation doit être produite auprès du transporteur livreur.

Tout dommage ou perte apparents doivent être notés sur le bordereau de transport au moment de la livraison. Le bordereau doit ensuite être signé par le représentant du transporteur (le conducteur). Si le bordereau n'est pas signé, il se peut que le transporteur refuse la réclamation. Le transporteur peut fournir les formulaires nécessaires.

Une requête d'inspection doit être produite auprès du transporteur dans les 15 jours si un dommage caché ou une perte n'ont pas été découverts avant le déballage de l'équipement. Le transporteur devrait organiser une inspection.

Assurez-vous de conserver tout le contenu et tout le matériel d'emballage.

3. Déballer avec soin. Signalez tout dommage caché au transporteur IMMÉDIATEMENT.
4. Ne retirez pas les étiquettes ou les repères jusqu'à ce que l'appareil ait été installé et fonctionne correctement.

**Sur toutes les friteuses au gaz installées pour fonctionner au gaz propane (GPL), UN RÉGULATEUR D'APPAREIL AU GAZ DOIT ÊTRE INSTALLÉ SUR LA FRITEUSE, en plus de celui de la cuve ou à deux plages. LES PIÈCES DES FRITEUSES AU PROPANE INSTALLÉES SANS UN RÉGULATEUR DE PRESSION APPROPRIÉ SERONT ENDOMMAGÉES ET LA GARANTIE SERA ANNULÉE.**

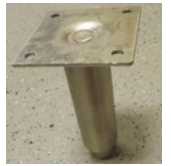
Le régulateur d'appareil au gaz doit être réglé à des pressions entre 11 et 12 po CE

**Remarque :** un régulateur de pression est « intégré » dans la valve à gaz multi fonction, si la pression d'admission est de 10 po CE ou moins; ce régulateur « intégré » agira comme une entrave et causera une combustion incomplète et crasseuse. Si la pression du gaz se situe au-dessus de 12 po CE, le régulateur de pression « intégré » sera endommagé et devra, dans ce cas, être remplacé, ce qui ne sera pas couvert par la garantie.

**Étape n° 2 : Installation des pieds (ou des roues) et des dispositifs de retenue**

Un jeu de pieds ou de roues est livré avec la friteuse. Les attaches de montage sont prémontées sur les plaques de la base.

6. Soulevez la friteuse suffisamment pour permettre de visser les pieds ou les roues à la plaque de la base. Pour plus de sécurité, appuyez et supportez la friteuse avec un dispositif de blocage quelconque qui sera assez fort pour supporter la charge.
7. Vissez les quatre pieds ou les roues sur la plaque sous le dessus de la friteuse. Si on a commandé des roues, celles qui sont verrouillables devraient être fixées sous le devant de la friteuse.
8. Abaissez la friteuse lentement. Ne l'échappez jamais ou ne la laissez pas tomber.
9. Servez-vous d'un niveau pour vous assurer que la friteuse est bien de niveau. Chaque roue, ou l'extrémité tubulaire de chaque pied, peut être vissée ou dévissée pour abaisser ou relever chacun des coins de la friteuse.
10. Fixez des dispositifs de retenue selon les exigences des codes locaux.



**\* AVIS**

Pour assurer des performances maximales et une ventilation appropriée, l'appareil doit être de niveau. Une mauvaise mise de niveau peut annuler la garantie.

**⚠ AVERTISSEMENT**

Si cet appareil est installé sur roues, l'installation devra être effectuée avec les roues livrées, un raccord conforme, soit à la norme ANSI Z21,69 ou ACNOR 6,16, et un dispositif à désaccouplement rapide conforme à la norme ANSI Z21,41 ou ACNOR 1-6,9. Il doit également être installé avec des moyens de retenue pour empêcher la transmission de tension sur le raccord, tel que stipulé dans les instructions du fabricant de l'appareil.

**⚠ AVERTISSEMENT**

Toutes les friteuses doivent être retenues pour les empêcher de basculer et éviter les projections de liquides chauds. Les éléments de retenue peuvent être la nature de l'installation.

### Étape n° 3 : Installation du carneau

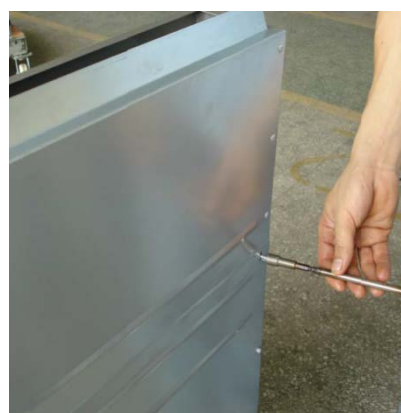
4. Déballez la boîte du carneau et son enveloppe.



5. Glissez la boîte du carneau par-dessus le carneau et fixez-la avec les deux vis autotaraudeuses à l'aide d'une douille de 5/8 po.



6. Glissez l'enveloppe du carneau par-dessus le carneau.  
7. Fixez-la avec les 4 vis autotaraudeuses, deux à l'arrière, et une de chaque côté à l'aide d'une douille de 5/8 po.





**Étape n° 4 : Vérification des dégagements et ventilation**

Sélectionnez un endroit solide et de niveau où poser votre friteuse. Autant que possible, donnez-vous de l'espace de dégagement pour le nettoyage de l'arrière. Si vous devez fixer l'appareil sur un sol fini incombustible, p.ex. une dalle de béton, un dégagement minimal de 3 po doit être prévu pour prévenir la restriction de l'ouverture d'air au bas de l'appareil.

**⚠ AVERTISSEMENT**

On doit respecter des dégagements adéquats entre la ou les friteuses et les constructions. Il faut aussi prévoir de l'espace en avant pour l'entretien et les opérations.

Le dégagement minimal des constructions combustibles doit être :

Sur les côtés : Six pouces (6)  
À l'arrière : Six pouces (6)

*TOUTES LES FRITEUSES KINTERA SERONT INSTALLÉES AVEC UN ESPACE D'AU MOINS 16 PO ENTRE LA FRITEUSE ET LES FEUX DE SURFACE D'UN ÉQUIPEMENT ADJACENT. UN PARE-FLAMME EST ACCEPTABLE SI LE CODE LOCAL LE PERMET.*

*« PEUT ÊTRE INSTALLÉE SUR DES SOLS FINIS COMBUSTIBLES »*

Aucun autre dégagement latéral ou arrière n'est requis, car la friteuse peut être entretenue par l'avant.

**⚠ AVERTISSEMENT**

Une mauvaise ventilation peut entraîner des blessures ou la mort. Une ventilation qui ne retire pas correctement les produits de combustion peut causer des maux de tête, de la somnolence, des nausées, ou pourrait être mortelle.

L'appareil DOIT être installé sous une hotte de ventilation.

Tous les appareils doivent être installés de sorte que la circulation de l'air de combustion et de ventilation ne soit pas obstruée. Il faut prévoir également un apport d'air suffisant. NE PAS obstruer le bas de l'avant de l'appareil, car l'air de combustion pénètre par cet espace. Assurez-vous d'inspecter et de nettoyer le système de ventilation en suivant les instructions du fabricant de l'équipement de ventilation.

En raison des problèmes nombreux que les conditions météorologiques externes peuvent engendrer, il est préférable de ventiler avec des hottes ou avec des ventilateurs muraux qu'avec tout autre type de ventilation directe. Il est recommandé qu'une hotte se prolonge de 6 po au-delà de l'appareil et que son extrémité inférieure soit à une hauteur de 6,6 pi du plancher fini. Les filtres devraient être fixés à un angle horizontal de 45° ou plus. Cette position empêche l'égouttement du gras et rend facile la collection du gras dans un égouttoir, non généralement pourvu avec un filtre. Un ventilateur de forte extraction a tendance à créer un vide dans la pièce et peut déranger les performances des brûleurs ou éteindre la flamme des veilleuses. Des ouvertures d'air frais à peu près égales à la zone de l'extracteur viendront faire cesser ce vide. En cas de mauvais rendement de tout appareil, vérifiez-le en mettant le ventilateur d'extraction à l'ARRÊT. Faites ceci pendant assez de temps pour vérifier la performance de l'équipement et puis, faites repartir la hotte laissez-la marcher pour retirer tout gaz d'échappement qui peut s'être accumulé pendant le test.

Le ventilateur d'extraction devrait être installé à au moins 2 pieds au-dessus de l'ouverture de ventilation du haut de la friteuse. Assurez-vous que la ventilation est conforme aux exigences du code local. Cet appareil n'est pas conçu pour être raccordé directement à une cheminée extérieure.

### Étape n° 5 : Le raccordement du gaz

Un raccord mâle de ¾ po NPT pour le raccordement du gaz est placé près du coin arrière inférieur de la friteuse. La plaque signalétique (à l'intérieur de la porte avant de la friteuse) indique le type de gaz que l'appareil peut brûler (naturel ou propane). La friteuse devrait être raccordée SEULEMENT au type de gaz pour lequel elle a été préparée.

On trouve un schéma de montage à l'intérieur de la porte de la friteuse.

Tous les équipements Kintera sont ajustés à l'usine; cependant il faudrait vérifier la hauteur de la flamme de la veilleuse au moment de l'installation et la rajuster si nécessaire.

Pour ce qui a trait à la taille des orifices et aux réglages du régulateur de pression, consultez la grille de la page 29. Si on installe la friteuse à une altitude de plus de 2 000 pieds, et que cette information n'a pas été précisée à la commande, faites appel au représentant d'entretien autorisé par Kintera ou au service de l'entretien de Kintera. Le défaut d'installer l'appareil avec une taille d'orifice appropriée causera des performances médiocres et pourra annuler la garantie.

Le cas échéant, la canalisation de ventilation à partir du régulateur de pression de l'appareil au gaz sera dirigée vers l'extérieur en conformité avec les codes locaux ou, en l'absence de ceux-ci, avec le Code national des gaz combustibles, norme ANSI Z223.1, le Code national d'installation du Gaz naturel, CAN/CGA-B149,1 ou le cas échéant, le Code d'installation au gaz propane, norme CAN/CGA- B149,2.

Une alimentation de gaz suffisante est un impératif. Les conduites de gaz sous calibrées ou à basse pression vont restreindre le volume de gaz nécessaire pour des rendements satisfaisants. Un régulateur de pression intégré dans une valve à gaz multi fonctions qui est livré avec chaque appareil est calibré pour maintenir une pression au manifold de 4 po CE pour le gaz naturel, ou une pression au manifold de 10 po CE pour le gaz propane. Cependant, pour maintenir ces conditions, la pression de la conduite d'alimentation, lorsque tous les appareils fonctionnent en même temps, ne devrait pas tomber en dessous de 7 po CE pour le gaz naturel, ou 11 po CE pour le gaz propane. Des fluctuations de plus de 25% pour le gaz naturel, ou de plus de 10% pour le gaz propane vont causer des problèmes et vont affecter les caractéristiques de fonctionnement des brûleurs. Une prise de ½ po servant à mesurer la pression au manifold se trouve sur la valve multifonction et sur le manifold des brûleurs, situé directement sous les brûleurs à l'intérieur du caisson.

Purgez la conduite d'alimentation pour nettoyer la poussière, la saleté ou autres matières étrangères avant de la raccorder à l'appareil.

Il est recommandé d'installer une valve d'arrêt manuelle individuelle sur la conduite gaz qui alimente l'appareil.

Utilisez une pâte à joint qui convient autant au gaz naturel qu'au gaz propane sur tous les raccords filetés.

#### PRUDENCE

TOUTES LES PÂTES À JOINT ET LES RACCORDS DOIVENT ÊTRE TESTÉS MINUTIEUSEMENT POUR DÉTECTER DES FUITES DE GAZ. UTILISEZ SEULEMENT DE L'EAU SAVONNEUSES POUR TESTER TOUS LES GAZ. NE VOUS SERVEZ JAMAIS D'UNE FLAMME NUE POUR LA DÉTECTION DES FUITES DE GAZ. TOUS LES RACCORDEMENTS DOIVENT ÊTRE VÉRIFIÉS POUR DÉTECTER DES FUITES DE GAZ UNE FOIS QUE L'APPAREIL A ÉTÉ MIS EN SERVICE.

**LA PRESSION DE TESTAGE NE DEVRAIT PAS EXCÉDER 12 PO CE**

**⚠ PRUDENCE**

CET APPAREIL ET SA VALVE À GAZ MULTIFONCTION INDIVIDUELLE DOIVENT ÊTRE DÉBRANCHÉS DU SYSTÈME DE CONDUITES D'ALIMENTATION DU GAZ LORS DE TOUT TEST DE PRESSION DUDIT SYSTÈME À DES PRESSIONS EXCÉDANT 14 PO CE (½ PSIG OU 3,45 kPa).

Si la pression du gaz d'admission excède 14 po CE (½ psi ou 3,45 kPa), un régulateur abaisseur de pression sera nécessaire.

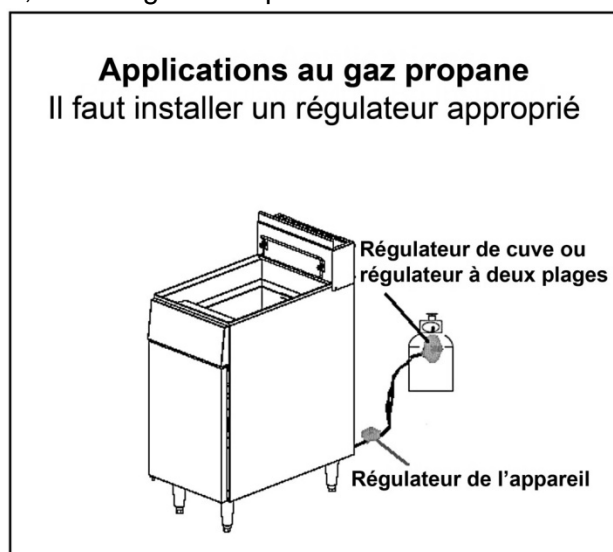
**Étape no 5 : Raccordement du gaz (Suite)**

Raccordez l'alimentation du gaz directement au raccord mâle de ¾ poNPT logé près du coin inférieur arrière gauche de la friteuse. Lorsque vous resserrez le tuyau d'alimentation, assurez-vous de maintenir solidement le raccord concourant de l'appareil avec une clé.

**⚠ AVERTISSEMENT**

**Détection des fuites de gaz :** Il est recommandé d'utiliser un détecteur de fuites ou une solution d'eau savonneuse pour la détection des fuites de gaz. On ne devrait pas utiliser d'allumettes, la flamme d'une bougie, ou d'autres sources d'allumage à cette fin. Vérifiez tout le système de conduites, y compris la **tuyauterie** et **les raccords internes** de la friteuse, pour y déceler des fuites. **NE PAS se servir d'une flamme nue pour la détection de fuites. Vérifiez toute la tuyauterie de gaz pour y déceler des fuites avec du savon et de l'eau chaude avant de mettre l'appareil en service.**

Après avoir raccordé l'alimentation du gaz, vérifiez le niveau de la friteuse de nouveau. Servez-vous d'un long niveau à bulles d'air de quatre façons : en travers de l'avant et de l'arrière de la cuve de friture, et le long de chaque côté.

**\* AVIS**

**Ne pas restreindre la circulation du gaz. N'utiliser que des raccords approuvés commercialement pour le gaz OU des tuyaux flexibles ! L'usage de raccords ou de tuyaux flexibles non commerciaux annuleront votre garantie.**

## FONCTIONNEMENT

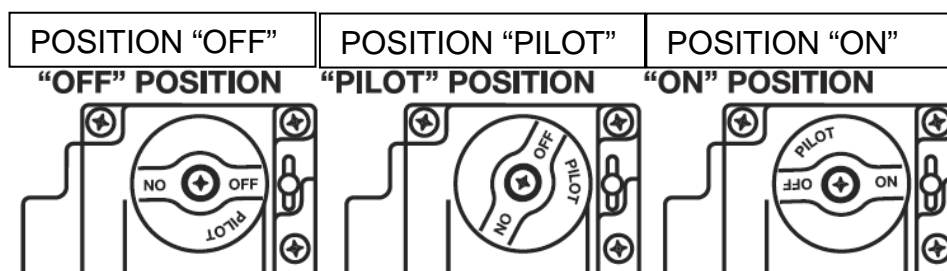
### Allumage



**SI VOUS SENTEZ UNE ODEUR DE GAZ PENDANT LA PROCÉDURE D'ALLUMAGE, COUPEZ IMMÉDIATEMENT L'ADMISSION DU GAZ JUSQU'À CE QUE LA FUITE AIT ÉTÉ COLMATÉE !**

Ouvrez la porte du compartiment des brûleurs et faites ceci :

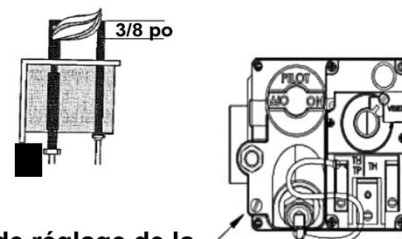
7. Mettez le thermostat à l'ARRÊT (OFF).
8. Poussez le bouton de la valve multifonction vers le bas, tournez-le dans le sens antihoraire à la position « VEILLEUSE » (illustrée), et continuer de pousser le bouton vers le bas.



9. Tout en poussant le bouton vers le bas, servez-vous du feu d'une allumette pour allumer la veilleuse. Continuez d'appuyer sur le bouton pendant environ 30 secondes. Si la veilleuse ne reste pas allumée quand le bouton est relâché, répétez le processus d'allumage et gardez le bouton enfoncé plus longtemps. Il se peut qu'il faille ajuster la flamme de la veilleuse.
10. Lorsque la veilleuse reste allumée, tournez le bouton dans le sens antihoraire à la position « ON ». Ne pas pousser le bouton vers le bas pendant cette étape.
11. Ne mettez pas le thermostat à la position « ON » tant que la cuve de friture ne s'est pas remplie d'huile ou de graisse alimentaire solide.
12. Une fois que la cuve de friture est remplie de graisse alimentaire, réglez le thermostat à la température désirée.

### Réglage de la veilleuse du brûleur

4. Retirez le capuchon de réglage de la veilleuse.
5. Ajustez la clé de la veilleuse pour offrir une flamme de la bonne hauteur à la thermopile. La flamme devrait recouvrir  $\frac{3}{8}$  po du bout supérieur.
6. Remettez le capuchon de réglage de la veilleuse en place.



Vis de réglage de la veilleuse sous cette vis

### REPLISSAGE DE LA CUVE DE FRITURE

9. Fermez bien le robinet de vidange avant de remplir la cuve de friture
10. Si la friteuse est neuve, remplissez la cuve de friture avec de l'eau et nettoyez-la à fond (voir le « Nettoyage hebdomadaire » à la page 39) pour retirer la couche de protection et toute matière étrangère.

11. La capacité de graisse alimentaire solide recommandée dans les cuves de friture (35, 55 ou 75 lb) est inscrite sur la plaque signalétique (située à l'intérieur de la porte avant).
12. Lorsque vous remplissez la cuve de friture avec de la graisse alimentaire solide, retirez le cadre du support à paniers.
13. Si vous utilisez de la graisse alimentaire solide, faites attention de ne pas plier, casser ou tordre les minces fils capillaires des éléments de détection logés dans la cuve de friture.
14. Poussez la graisse alimentaire solide dans la zone sous les tubes, les espaces entre les tubes, et au moins un pouce au-dessus des tubes avant d'allumer la friteuse. Si on laisse des vides d'air autour des surfaces des tubes de chauffage quand on allume l'appareil, ces surfaces rougiront, brûleront la graisse, affaibliront la cuve de friture, et pourraient causer un incendie.

**⚠ PRUDENCE**

*N'ESSEYEZ JAMAIS DE FAIRE FONDRE UN BLOC DE GRAISSE ALIMENTAIRE SOLIDE SUR LE DESSUS DES ÉCHANGEURS DE CHALEUR. N'ALLUMEZ JAMAIS LES BRÛLEURS SI LA CUVE DE FRITURE EST VIDE. CELA FERA CRAQUER LES CORDONS DE SOUDURE ET COULER L'HUILE DE CUISSON DE VOTRE FRITEUSE. CE SONT LÀ DES CONDITIONS DANGEREUSES.*

15. Pour empêcher la graisse alimentaire solide de brûler ou de roussir, gardez le réglage du thermostat à la plus basse température tant que la graisse autour et au-dessus des échangeurs n'a pas fondu. Vous pouvez alors ajouter de la graisse jusqu'à ce que la profondeur de friture désirée ait été atteinte.
16. Remettez le cadre du support à paniers au-dessus des échangeurs de chaleur.

## **RALLUMAGE**

**⚠ PRUDENCE**

En cas d'échec de l'allumage d'un brûleur principal, une période de purge de cinq minutes doit être observée avant de rétablir la source d'allumage.

4. Fermez toutes les sources de gaz.
5. Patientez cinq minutes.
6. Appliquez les procédures « d'allumage » décrites à la page 36.

## **VALVE AUTOMATIQUE DE LA VEILLEUSE**

La valve automatique de la veilleuse permet la fermeture automatique sécuritaire de la friteuse si la flamme de la veilleuse s'éteint. Lorsque la flamme de la veilleuse est allumée, la valve est maintenue ouverte électromagnétiquement par une thermopile logée dans la flamme de la veilleuse. Lorsque la flamme s'éteint, la production de courant cesse et la valve se referme automatiquement.

**COMMANDE DE LIMITE SUPÉRIEURE**

Les friteuses Kintera sont dotées d'une commande de chaleur secondaire qui empêche la température de l'huile de s'élever au-dessus de 450°F (232°C). En raison de la précision de la sonde, la température de l'huile peut s'élever jusqu'à 475°F (246°C).

Si la friteuse vient à s'éteindre à cause de cette situation, l'huile doit être refroidie sous les 400°F (205°C) avant de pouvoir rallumer la flamme de la veilleuse. Une fois l'huile refroidie, refaites les procédures « d'allumage » de la page 36 pour remettre la friteuse en service. Si le problème persiste, faites appel à votre technicien Kintera ou au service de l'entretien de Kintera.

**CONSEILS DE CUISSON****TRUCS D'UTILISATION**

- Une huile qui fume signifie que la température est trop élevée, ou que l'huile s'est cassée. C'est le moment de la filtrer ou de la remplacer.
- La gomme collée sur la cuve de friture indique qu'un profond nettoyage est nécessaire (voir la rubrique « Nettoyage hebdomadaire » de la page 39).
- Utilisez un gras différent pour des produits huileux (maquereau, muscade, etc.) autres que les aliments hydrosolubles (pommes de terre, oignons, etc.).
- Goûtez l'huile froide pour en tester la qualité. Remplacez-la régulièrement.
- Souvenez-vous qu'une huile de qualité produit de bons aliments.

**NETTOYAGE**

L'équipement Kintera est fabriqué avec des matériaux de la meilleure qualité et est conçu pour offrir de longues années de service s'il est entretenu correctement. Pour en tirer les meilleures performances, votre équipement doit être maintenu en bonne condition et nettoyé quotidiennement. La fréquence et l'ampleur des nettoyages dépendent bien sûr du niveau et du degré d'utilisation.

En observant des procédures d'entretien quotidien et périodiques plus poussées, vous augmenterez la longévité de votre équipement. Les conditions climatiques (p.ex. le sel dans l'air) peuvent demander des nettoyages plus minutieux et plus fréquents pour que l'équipement produise des rendements optimaux.

**▲ AVERTISSEMENT****DANGER DE BRÛLURES**

S'il devient nécessaire de déplacer la friteuse pour nettoyage, etc., laissez-la refroidir complètement, vidangez l'huile d'abord pour éviter la mort ou des blessures graves.

**▲ AVERTISSEMENT**

S'il est nécessaire de retirer le dispositif de retenue pour déplacer l'appareil pour nettoyage, etc., remettez-le en place dès que l'appareil a été remis à sa position initiale d'installation.



## NETTOYAGE QUOTIDIEN

9. Mettez le bouton du thermostat en position d'ARRÊT (OFF).
10. Placez un récipient à l'épreuve de l'huile chaude sous le tuyau de vidange et videz totalement la cuve de friture.
11. Retirez le cadre du support des paniers (s'il y a lieu) et rincez avec un peu d'huile tous les sédiments qui restent dans la cuve de friture.
12. Essuyez le cadre du support des paniers et l'intérieur de la cuve de friture avec un linge propre.



*CERTAINES PARTIES DE LA CUVE DE FRITURE PEUVENT ÊTRE CHAUDES*

## NETTOYAGE QUOTIDIEN (Suite)

13. Refermez le robinet de vidange et retournez l'huile dans la cuve en la filtrant à travers plusieurs épaisseurs d'étamine ou filtrez-la à la machine.
14. Remettez le cadre du support à paniers en place (s'il y a lieu).
15. Ajoutez de l'huile ou de la graisse solide jusqu'à la marque MIN du niveau d'huile à l'arrière de la cuve de friture.
16. Pour recommencer à cuire, tournez le bouton de la valve multifonction à la position « ON ».

## NETTOYAGE HEBDOMADAIRE

10. Suivez les étapes 1 à 4 des procédures de nettoyage quotidien (voir la rubrique précédente).
11. Fermez le robinet de vidange et remplissez la cuve de friteuse avec de l'eau chaude mélangée à un traitement à solution bouillante.
12. Rallumez la friteuse et amenez la solution à ébullition lente pendant au moins cinq minutes.
13. Éteignez les brûleurs principaux et laissez reposer la solution jusqu'à ce que les dépôts de gomme aient ramolli et que les taches de carbone et de graisse brûlée puissent être détachées.
14. Récurez les parois de la cuve de friture et les échangeurs de chaleur, et ensuite, vidangez la cuve de friture et rincez-la à l'eau propre.
15. Remplissez la cuve de friture d'eau propre et faites-la bouillir une autre fois.
16. Coupez le gaz, vidangez l'eau et rincez bien jusqu'à ce soit propre.
17. Asséchez avec un chiffon propre.
18. Remplissez tel que spécifié sous la rubrique « Remplissage de la cuve de friture » (voir en page 37).

## NETTOYAGE MENSUEL

4. Effectuez les procédures de nettoyage hebdomadaires (voir la rubrique précédente).
5. Nettoyez, s'il y a lieu, la charpie accumulée autour des brûleurs et des orifices.
6. Jetez un coup d'œil pour voir si les ports de transfert ne sont pas obstrués.

## NETTOYAGE DES SURFACES D'ACIER INOX

Pour détacher la saleté normale, le gras et les résidus alimentaires de l'acier inox, servez-vous de savon ordinaire et d'eau (avec ou sans détergent) que vous appliquerez avec une éponge ou un chiffon. Asséchez soigneusement avec un chiffon propre. N'utilisez jamais de vinaigre ou tout autre nettoyeur corrosif.

Pour retirer le gras et les éclaboussures alimentaires ou les vapeurs condensées qui se sont incrustés sur l'équipement, mettez du nettoyeur sur un chiffon humide ou une éponge, et étalez le nettoyeur sur le métal dans le sens des lignes de polissage. Si vous étalez le nettoyeur aussi délicatement que possible dans le sens des lignes de polissage, cela ne marquera pas le revêtement de l'acier inox. **NE FROTTEZ JAMAIS DANS UN MOUVEMENT CIRCULAIRE.** La saleté et les dépôts brûlés qui ne se sont pas détachés suite à la procédure mentionnée plus haut peuvent généralement être retirés en frottant la surface avec des tampons à récurer SCOTCH-BRITE ou des tampons à récurer L'ACIER INOX. **N'UTILISEZ PAS DE LAINE D'ACIER ORDINAIRE**, car toutes les particules laissées à la surface vont rouiller et viendront gâcher l'apparence du revêtement encore plus. **NE VOUS SERVEZ JAMAIS D'UNE BROSSE MÉTALLIQUE, DE TAMPONS À RÉCURER EN ACIER (SAUF EN INOX), DE GRATTOIRS, LIME OU AUTRES OUTILS EN ACIER.** Les surfaces marquées captent la saleté plus rapidement et deviennent plus difficiles à nettoyer. Les rayures augmentent également la possibilité d'une attaque de corrosion. Une réparation du revêtement peut alors s'avérer nécessaire.

Les zones noircies, qu'on appelle « coloration de recuit », peuvent parfois apparaître sur les surfaces d'acier inox, là où ces zones ont été exposées à une chaleur excessive. Ces zones noircies sont causées par l'épaississement de la couche de protection de l'acier inox et ne sont pas nuisibles. La coloration de recuit peut normalement être retirée par les techniques de nettoyage énoncées plus haut, mais la décoloration qui ne part pas après ce nettoyage exige un vigoureux récurage dans le sens des lignes de polissage, en utilisant des tampons à récurer SCOTCH-BRITE, ou des tampons à récurer L'INOX en même temps qu'un puissant nettoyeur. Les colorations de recuit peuvent être moins nombreuses en ne faisant pas chauffer ou en réduisant le chauffage de l'équipement pendant les périodes creuses.

## PIÈCES DE RECHANGE

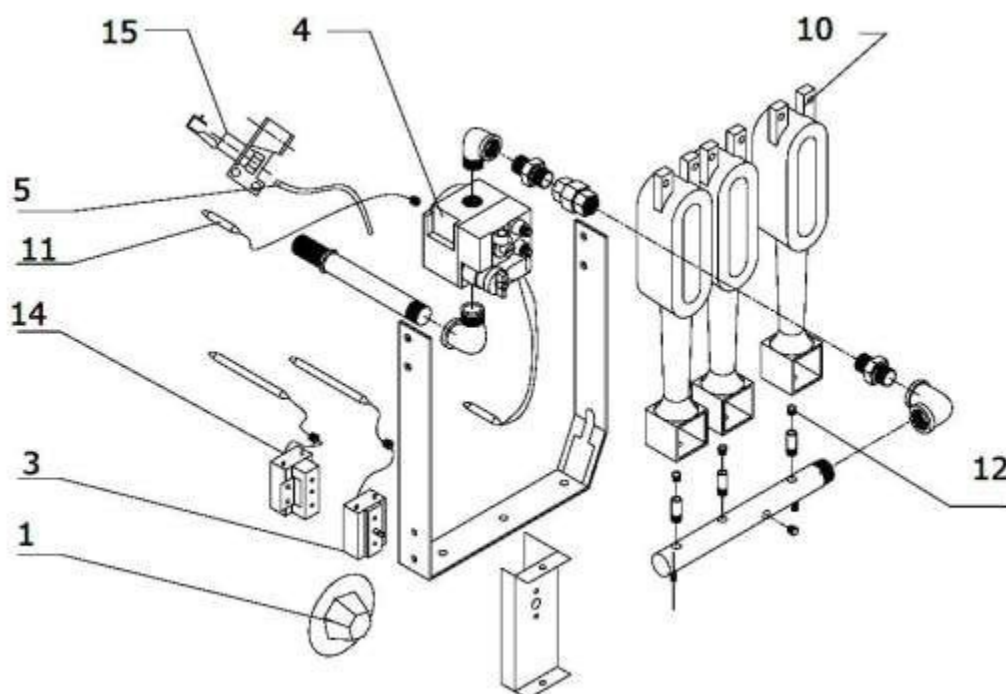
### \* AVIS

**L'INSTALLATION DE PIÈCES DE RECHANGE AUTRES QUE LES PIÈCES ENTRÉE D'ORIGINE VONT ANNULER LA GARANTIE DE CET ÉQUIPEMENT.**

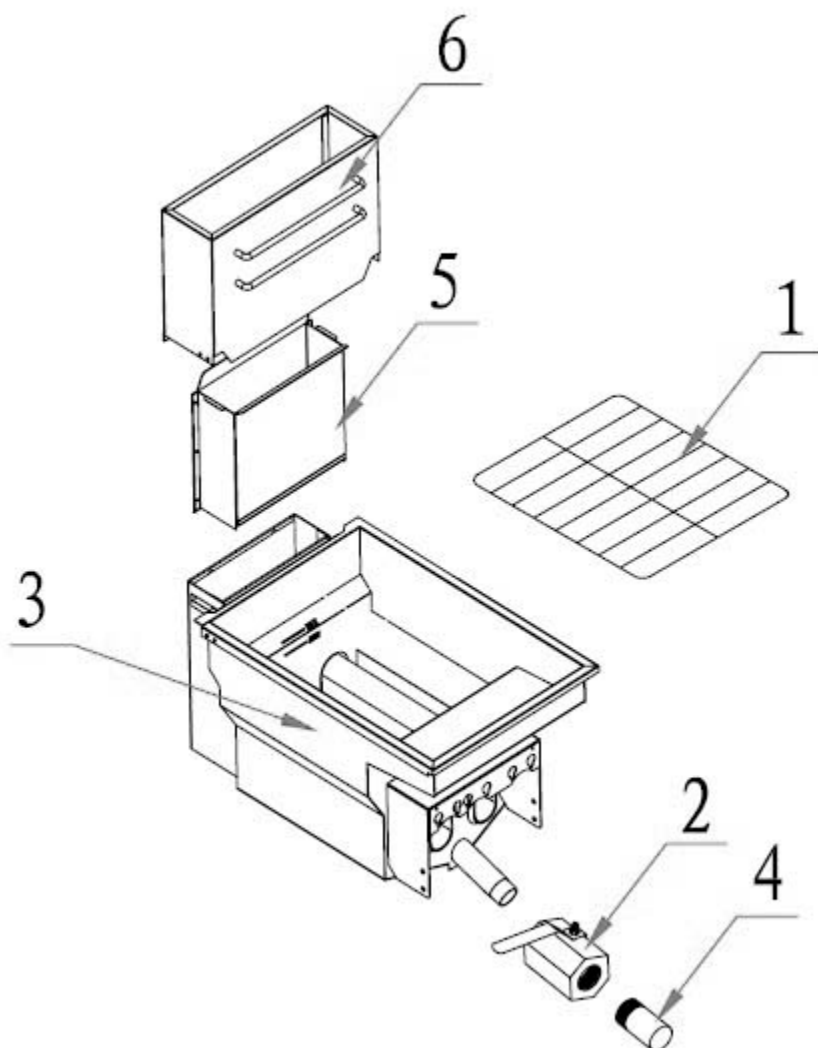
La plaque signalétique est située à l'intérieur de la porte avant, du côté gauche.

Les pièces de rechange peuvent être commandées par l'entremise d'un distributeur de pièces autorisé par Kintera. Lors d'une commande de pièces, ayez en main les numéros de modèle et de série de votre friteuse, le numéro des pièces et leur description.

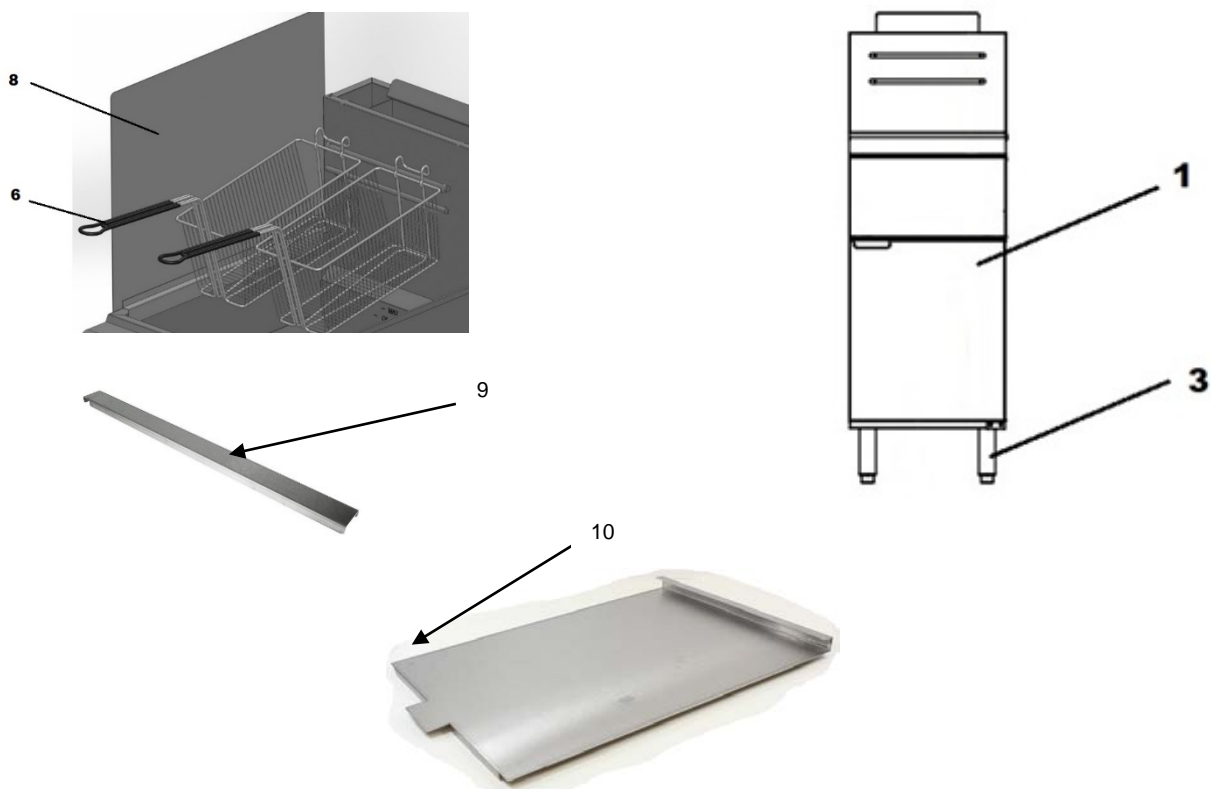




N°	N° de pièce	Description	KF3	KF4	KF5
1	400045	Bouton du thermostat	1	1	1
3	400044	Thermostat de réglage, 200°F à 400°F	1	1	1
4	400042	Valve à gaz multifonction (Naturel)	1	1	1
	400146	Valve à gaz multifonction (Propane)	*	*	*
5	400070	Tube de veilleuse flexible, ¼ po	1	1	1
10	300036	Brûleur droit de la friteuse	1	1	1
	300037	Brûleur central de la friteuse	1	2	3
	300038	Brûleur gauche de la friteuse	1	1	1
11	400043	Thermopile	1	1	1
12	300034	Orifice #39 pour brûleur principal (Naturel)	3	4	5
	300035	Orifice #52 pour brûleur principal (Propane)	*	*	*
	300045	Rallonge de l'orifice	3	4	5
14	400046	Dispositif de sécurité – Haute limite(450°F)	1	1	1
15	400047	Veilleuse 3-Plages (Naturel)	1	1	1
	400048	Veilleuse 3-Plages (Propane)	*	*	*

**PIÈCES DE RECHANGE (SUITE)**

N°	N° de pièce	Description	KF3	KF4	KF5
1	400037	Support à paniers	1	1	
	400058	Support à paniers			1
2	400036	Robinet de vidange (Style à bille)	1	1	1
3	C200016	Cuve de friture seule	1		
	C200017	Cuve de friture seule		1	
	C200056	Cuve de friture seule			1
4	400071	Rallonge de vidange	1	1	1
5	400075	Tête du carneau	1		
	400076	Tête du carneau		1	
	400077	Tête du carneau			1
6	400078	Boîte du carneau	1	1	
	400079	Boîte du carneau			1



N°	N° de pièce	Description	KF3	KF4	KF5
1	100106	Ensemble de porte complet	1	1	
	100137	Ensemble de porte complet			1
	300032	Aimant de porte	1	1	1
3	400147	Pied réglable de 6 po	4	4	4
	266001-1	Jeu de roues, (2 roues avant pivotantes avec frein, 2 arrière fixes)	OPT	OPT	OPT
6	400057	Panier de friture (Long. 13,25 x Larg. 6,5 x Prof. 6 po)	2	2	
	400039	Panier de friture (Long. 17,25 x Larg. 9,25 x Prof. 6 po)			2
8	400072	PARE-FLAMME (EN OPTION)			
9	266863-2	BANDE DE JUMELAGE DE FRITEUSE À FRITEUSE (EN OPTION)	1	1	
	266863-3	BANDE DE JUMELAGE DE FRITEUSE À FRITEUSE (EN OPTION)			1
10	266211-1	COUVRE-CUVE (EN OPTION)	1	1	
	266211-2	COUVRE-CUVE (EN OPTION)			1

## GARANTIE DE L'ÉQUIPEMENT AU GAZ KINTERA

(INCESSIBLE)

Pour des appels sous garantie, faire le (866) 909-2855

Tout nouvel appareil de cuisson au gaz Kintera porte la garantie d'être exempt de défauts de matériaux et de main d'œuvre, sous réserve d'être utilisé et opéré normalement, pendant une période d'un (1) an à partir de la date d'achat initiale, ou de 20 mois après la date d'expédition du fabricant, selon la première éventualité. Tout équipement au gaz installé dans une structure non permanente, comme une cuisine mobile et/ou une roulotte, aura une garantie limitée de trente (30) jours à partir de la date d'achat. Une preuve d'achat est nécessaire. L'équipement est destiné à un usage commercial à l'intérieur seulement.

Cette garantie se limite à la réparation et le remplacement, y compris les frais de main d'œuvre, des pièces et/ou des ensembles défectueux. La main d'œuvre, le déplacement et le kilométrage couverts dans la première année comprennent les frais de main d'œuvre pendant les heures normales et des frais de déplacement de 160 kilomètres (100 milles) aller-retour.

1. Cette garantie est limitée à l'installation initiale d'un nouvel équipement de cuisson au gaz Kintera chez l'utilisateur d'origine aux États-Unis ou au Canada. Cette garantie est incessible.
2. Ce produit DOIT être installé en conformité avec les Codes locaux ou nationaux tels que décrits dans le manuel du propriétaire et de l'installateur.
3. Cette garantie n'est pas applicable à tout équipement qui n'a pas été installé selon les directives publiées dans les manuels d'installation et d'emploi pertinents.
4. Kintera n'assumera aucune responsabilité à l'égard de tout équipement qui aurait été malmené, abusé, mal utilisé ou à de mauvaises fins, soumis à une action chimique brutale, ou à des causes externes, comme des variations gazeuses, des modifications sur les lieux sans l'approbation de Kintera, ou par du personnel non autorisé, installé ou entretenu incorrectement, endommagé par inondation ou par le feu, ou autre force majeure, ou dont les numéros de série auraient été altérés ou perdus.
5. Cette garantie ne couvre que les défauts de pièces et de fabrication de l'équipement et non les dommages subis pendant le transport, la manipulation ou dus à une pression gazière excessive.
6. Si l'équipement a été changé, altéré, modifié, ou réparé avec des pièces non autorisées ou par un technicien de service non qualifié par Kintera, alors Kintera ne sera pas tenue responsable de la réclamation sous garantie.
7. Les réglages, comme les calibrages, le nivellement, le serrage des attaches et des raccords de tuyaux, ou des raccordements aux services publics normalement reliés à l'installation originale, relèvent de la responsabilité de l'installateur et non de celle de Kintera. L'entretien régulier et le nettoyage seront sous la responsabilité du client.
8. Kintera prendra à sa charge les frais normaux de main d'œuvre encourus pour la réparation ou le remplacement d'un appareil sous garantie dans un rayon de 50 milles (80 km) d'un agent de service autorisé. Les frais de main d'œuvre en surtemps ou majorés et les frais de déplacement au-delà de 100 milles aller-retour (160 km) ne seront pas pris en charge par Kintera et seront sous la responsabilité de la personne ou de l'entreprise qui a demandé l'intervention du service technique.
9. Les pièces de rechange d'origine achetées porteront une garantie de 90 jours à partir de la date de la facture des pièces. Cette garantie ne couvre que le coût des pièces et ne comprend pas le transport et les frais de main d'œuvre.
10. Cette garantie constitue l'unique recours contre Kintera, relié à tout ce qui est Kintera, que ce soit par contrat ou en délit civil ou selon toute autre théorie légale, et qu'il découle de garanties, représentations, instructions, installations, ou de défauts de toutes causes. Kintera ne sera pas tenue responsable, sous quelque théorie légale que ce soit, pour les pertes d'utilisation, de revenus ou de bénéfices, ou pour l'usage de remplacement ou de performance, ou pour tout dommage accessoire, indirect, spécial ou immatériel, ou pour toute autre perte de coût de type similaire. Les lois en vigueur dans certaines juridictions limitent ou n'autorisent pas l'exclusion ou la limitation de dommages immatériels. Si les lois en vigueur dans une telle juridiction s'appliquent à toute réclamation par ou contre Kintera, AUCUNE des contraintes et limitations de responsabilité énoncées aux présentes ne sera la partie la plus élevée permise par la loi.
11. La responsabilité de Kintera se limite à la réparation ou au remplacement de toute pièce avérée défectueuse.

CETTE GARANTIE ET LES RESPONSABILITÉS ÉNONCÉES AUX PRÉSENTES SONT EXCLUSIVES ET REMPLACENT TOUTES LES RESPONSABILITÉS ET LES GARANTIES, EXPRESSES OU IMPLICITES, Y COMPRIS MAIS SANS S'Y LIMITER, LES GARANTIES IMPLICITES DE VALEUR MARCHANDE ET D'ADÉQUATION À UN BESOIN PARTICULIER, ET CONSTITUE LA SEULE GARANTIE DE KINTERA TOUCHANT LE OU LES PRODUITS. LA RESPONSABILITÉ DE KINTERA À L'ÉGARD DE TOUTE RÉCLAMATION, Y COMPRIS MAIS SANS S'Y LIMITER, POUR NÉGLIGENCE, N'EXCÉDERA PAS LE PRIX DE L'ÉQUIPEMENT AYANT DONNÉ LIEU À LA RÉCLAMATION.

## FRITEUSES AUTONOMES KINTERA AU GAZMODE D'EMPLOI & GUIDE D'INSTALLATION

### RÉCLAMATIONS SOUS GARANTIE

Toutes les demandes de service sous garantie doivent être soumises par téléphone au (866) 909-2855 pour obtenir et consentir à un appel de service selon les Conditions de paiement des réclamations sous garantie. Toutes les réclamations de main d'œuvre ou de pièces doivent être présentées directement à Entrée S.A.R.L.

Toutes les réclamations devraient comprendre : Le numéro de répartition, le numéro de modèle de l'appareil, le numéro de série de la base, une preuve d'achat, la date d'installation, et tous les renseignements venant supporter le défaut présumé.

### CE QUI N'EST PAS COMPRIS DANS CETTE GARANTIE

La seule obligation de Kintera sous cette garantie se limite à, soit réparer, ou remplacer les pièces, sous réserve des limites additionnelles ci-dessous. Cette garantie n'assume pas, ni n'autorise personne à assumer d'autres obligations que celles expressément couvertes par cette garantie. Le déplacement au-delà d'un rayon de 50 milles aller-retour et de plus de 2 heures n'est pas compris.

**AUCUN DOMMAGE INDIRECT. KINTERA N'EST PAS RESPONSABLE DES DOMMAGES MATÉRIELS; PERTES DE BÉNÉFICES; OU DOMMAGES SPÉCIAUX, INDIRECTS, OU IMMATÉRIELLES, Y COMPRIS SANS S'Y LIMITER, LES PERTES OU DOMMAGES DÉCOULANT DES ALIMENTS PERDUS OU DES RÉCLAMATIONS DE GASPILLAGE DE PRODUITS, QU'ILS AIENT ÉTÉ CAUSÉS OU NON À LA SUITE D'UNE PANNE DE RÉFRIGÉRATION.**

**LA GARANTIE EST INCESSIBLE.** Cette garantie n'est pas cessible et ne s'adresse qu'au profit de l'acheteur/utilisateur d'origine à qui l'équipement a été livré. **TOUTE CESSION OU TRANSFERT DE CE TYPE ANNULERA LES GARANTIES ÉNONCÉES AUX PRÉSENTES ET ANNULERA TOUTES LES GARANTIES EXPRESSES OU IMPLICITES, Y COMPRIS TOUTE GARANTIE DE VALEUR MARCHANDE ET D'ADÉQUATION À UN BESOIN PARTICULIER.**

**MAUVAISE UTILISATION. KINTERA N'ASSUME AUCUNE RESPONSABILITÉ TOUCHANT LA GARANTIE DES PIÈCES OU DE LA MAIN D'ŒUVRE DES COMPOSANTS DÉFECTUEUX OU D'AUTRES DOMMAGES RÉSULTANT D'UNE MAUVAISE UTILISATION OU INSTALLATION OU DU MANQUE DE NETTOYAGE ET/OU D'ENTRETIEN DU PRODUIT TEL QUE STIPULÉ DANS LE MANUEL DU PROPRIÉTAIRE LIVRÉ AVEC L'APPAREIL.**

**DÉMÉNAGEMENT DE L'ÉQUIPEMENT POUR LE RÉPARER :** Quelle qu'en soit la raison, Kintera n'est pas responsable des frais encourus pour déplacer l'équipement de l'endroit où il est utilisé chez le client, pour effectuer une réparation sous garantie.

**UTILISATION DOMESTIQUE :** Kintera n'assume aucune responsabilité pour les pièces et la main d'œuvre des composants défectueux ou d'autres dommages résultant d'une installation non commerciale ou résidentielle.

**ALTÉRATION, NÉGLIGENCE, ABUS, MAUVAIS USAGE, ACCIDENT, DOMMAGE PENDANT LE TRANSPORT OU L'INSTALLATION, INCENDIE, INONDATION, FORCE MAJEURE.**

Kintera n'assume pas de responsabilité pour la réparation ou le remplacement de toute pièce, si Kintera détermine qu'elle a été soumise, après la date de fabrication, à des altérations, de la négligence, de l'abus, un mauvais usage, un accident, et a subi des dommages pendant le transport ou l'installation, lors d'un incendie, d'une inondation, ou dans un cas de force majeure.

**RACCORDEMENTS DE GAZ INCORRECTS. KINTERA N'EST PAS RESPONSABLE DE LA RÉPARATION OU DU REMPLACEMENT DES COMPOSANTS DÉFECTUEUX OU ENDOMMAGÉS À LA SUITE D'UNE PRESSION DE GAZ INCORRECTE OU D'UN MAUVAIS TYPE DE GAZ. CET ÉQUIPEMENT EST DESTINÉ À L'USAGE INTÉRIEUR SEULEMENT.**

**AUCUNE GARANTIE IMPLICITE DE VALEUR MARCHANDE ET D'ADÉQUATION À UN BESOIN PARTICULIER :** IL N'EXISTE AUCUNE AUTRE GARANTIE, EXPRESSE, IMPLICITE OU STATUTAIRE, SAUF LA GARANTIE D'UN AN (1), PIÈCES ET MAIN D'ŒUVRE. CES GARANTIES SONT EXCLUSIVES ET REMPLACENT TOUTES LES AUTRES GARANTIES, Y COMPRIS LA GARANTIE IMPLICITE DE VALEUR MARCHANDE OU D'ADÉQUATION À UN BESOIN PARTICULIER. IL N'Y A PAS D'AUTRES GARANTIES QUI VONT AU-DELÀ DE LA DESCRIPTION ÉNONCÉE AUX PRÉSENTES.

**À L'EXTÉRIEUR DES É.-U. :** Toute réclamation sous garantie faite à l'égard de produits vendus ou utilisés à l'extérieur des États-Unis et du Canada n'est pas valide, et Kintera n'en est pas responsable.



(Cette page a été laissée vide intentionnellement)



## Kintera Equipment, LLC

PO Box 1186

Mansfield MA 02048

Pour le service sous garantie, faire le (866) 909-2855

Enregistrement de la garantie de votre produit en ligne : [www.entree.biz](http://www.entree.biz)

Un produit qui porte le nom de Kintera intègre ce qu'il y a de mieux en matière de durabilité et de faible coût d'entretien. Cependant, nous reconnaissons tous que le remplacement de certaines pièces et à l'occasion, l'appel à un service d'entretien professionnel, peuvent être nécessaires pour prolonger la vie utile de cet appareil. Si une intervention de service devient nécessaire, contactez une agence de service autorisée par Kintera, ou votre détaillant. Pour éviter toute confusion, ayez toujours en main le numéro de modèle et de série, ainsi que le type de votre appareil.



Conforms to ANSI  
STD Z83.11-2016  
Certified to CSA  
STD-1.8-2016  
Conforms to  
NSF/ANSI STD 4