



# *CATALOG OF REPLACEMENT PARTS*

## **GAS COUNTER SERIES HOT PLATE**

KHP12  
KHP24  
KHP36



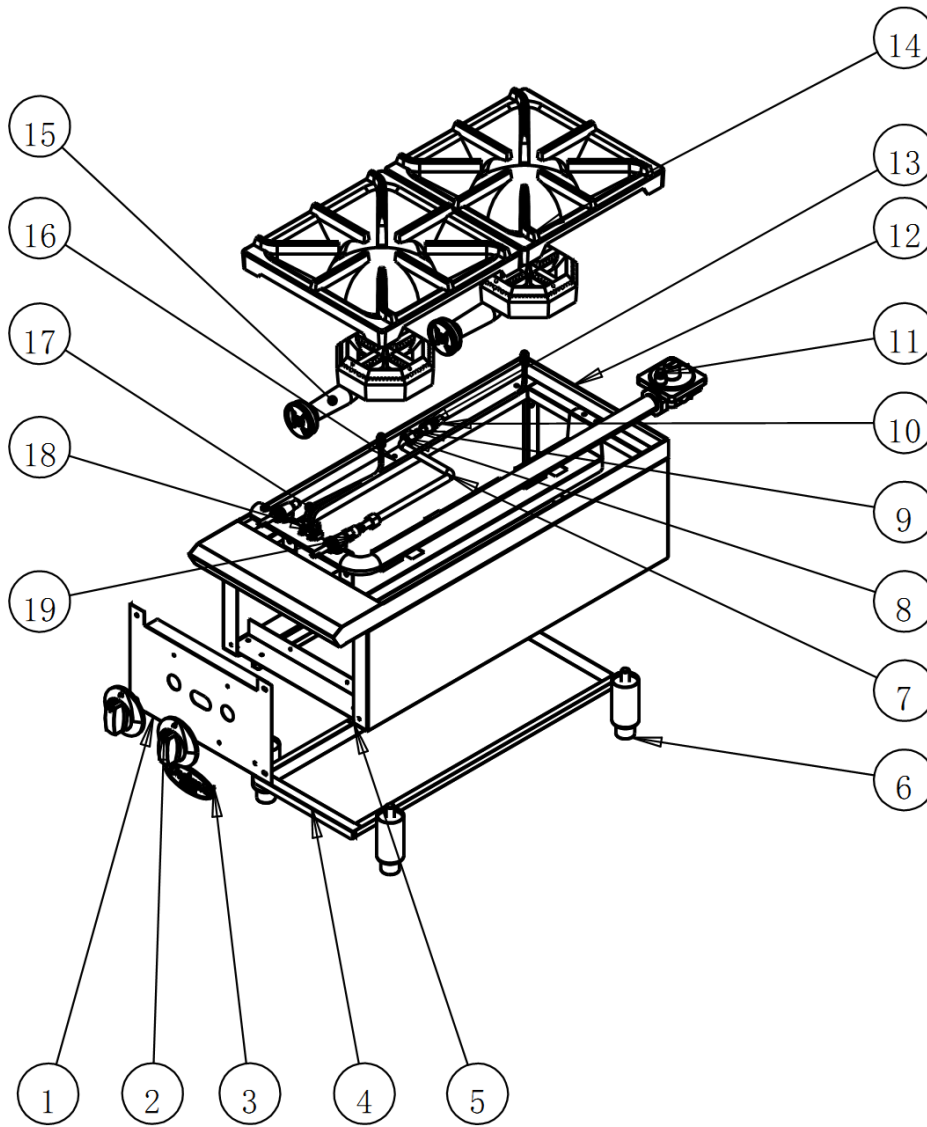
**For additional information on KINTERA or to locate an authorized parts  
and service provider in your area.**

## TABLE OF CONTENTS

|                                      |   |
|--------------------------------------|---|
| KHP12 HOT PLATE .....                | 3 |
| Exploded view of components.....     | 3 |
| Component's part number listing..... | 4 |
| <br>                                 |   |
| KHP24 HOT PLATE .....                | 5 |
| Exploded view of components.....     | 5 |
| Component's part number listing..... | 6 |
| <br>                                 |   |
| KHP36 HOT PLATE .....                | 7 |
| Exploded view of components.....     | 7 |
| Component's part number listing..... | 8 |

...

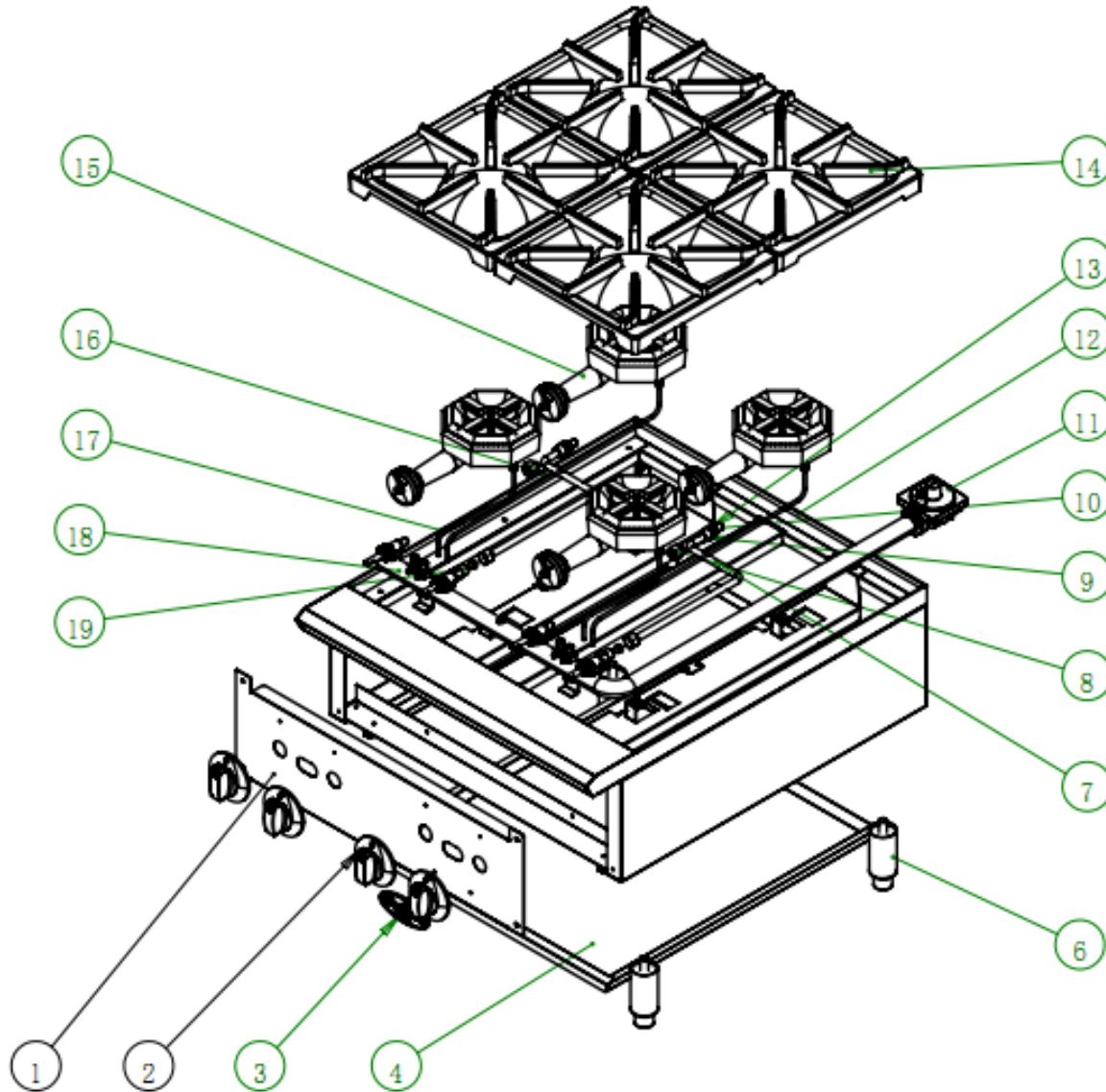
# KHP12 Exploded View



## *KHP12 Part List*

| No. | Part Code   | Part Name               | QTY |
|-----|-------------|-------------------------|-----|
| 1   | 20228053009 | FRONT CONTROL PANEL     | 1   |
| 2   | 301110274   | KNOB                    | 2   |
| 3   | 303131638   | VESTA NAMEPLATE         | 1   |
| 4   | 20228053007 | DRIP PAN                | 1   |
| 6   | 302090047   | ADJUSTABLE LEG          | 4   |
| 7   | 302060688   | REAR GAS PIPE           | 1   |
| 8   | 302140025   | GAS PIPE CONNECTING NUT | 2   |
| 9   | 302140066   | HOOP                    | 2   |
| 10  | 302150077   | 42# NOZZLE - NG         | 2   |
|     | 302150076   | 53# NOZZLE - LPG        | 2   |
| 11  | 302220147   | REGULATOR               | 1   |
| 13  | 302140169   | NOZZLE CONNECTOR        | 1   |
| 14  | 302250146   | BURNER GRATE            | 2   |
| 15  | 20128054004 | BURNER ASSEMBLY         | 2   |
| 16  | 20128054006 | REAR PILOT ASSEMBLY     | 1   |
| 17  | 20128054005 | FRONT PILOT ASSEMBLY    | 1   |
| 18  | 20128053003 | GAS INLET PIPE ASSEMBLY | 1   |
| 19  | 302140170   | VALVE ADAPTER           | 1   |

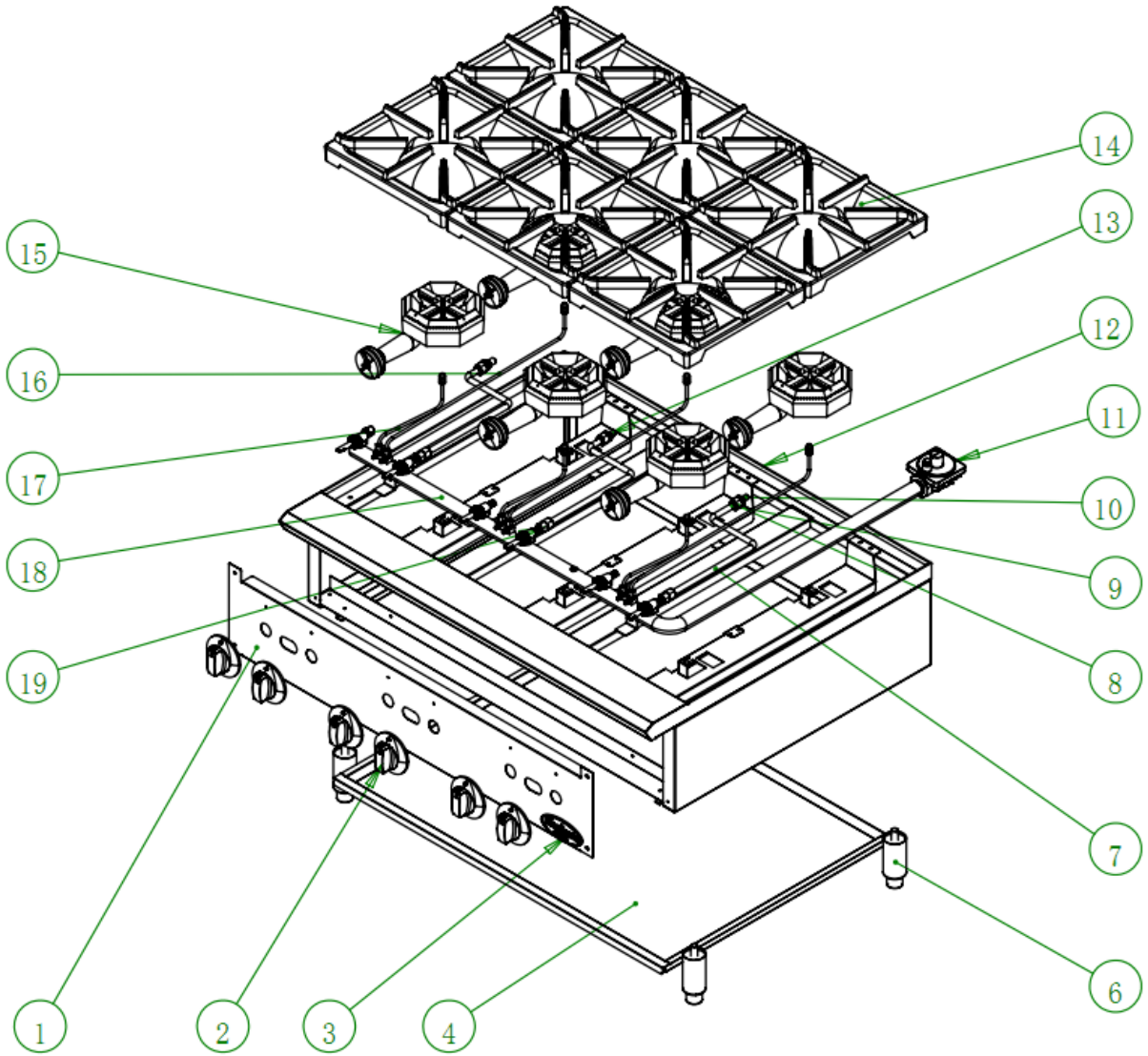
# KHP24 Exploded View



## *KHP24 Part List*

| No. | Part Code   | Part Name               | QTY |
|-----|-------------|-------------------------|-----|
| 1   | 20228054025 | FRONT CONTROL PANEL     | 1   |
| 2   | 301110274   | KNOB                    | 4   |
| 3   | 303131638   | VESTA NAMEPLATE         | 1   |
| 4   | 20228054015 | DRIP PAN                | 1   |
| 6   | 302090047   | ADJUSTABLE LEG          | 4   |
| 7   | 302060688   | REAR GAS PIPE           | 2   |
| 8   | 302140025   | GAS PIPE CONNECTING NUT | 4   |
| 9   | 302140066   | HOOP                    | 4   |
| 10  | 302150077   | 42# NOZZLE - NG         | 4   |
|     | 302150076   | 53# NOZZLE - LPG        | 4   |
| 11  | 302220147   | REGULATOR               | 1   |
| 13  | 302140169   | NOZZLE CONNECTOR        | 2   |
| 14  | 302250146   | BURNER GRATE            | 4   |
| 15  | 20128054004 | BURNER ASSEMBLY         | 4   |
| 16  | 20128054006 | REAR PILOT ASSEMBLY     | 2   |
| 17  | 20128054005 | FRONT PILOT ASSEMBLY    | 2   |
| 18  | 20128054003 | GAS INLET PIPE ASSEMBLY | 1   |
| 19  | 302140170   | VALVE ADAPTER           | 2   |

# KHP36 Exploded View



## *KHP36 Part List*

| No. | Part Code   | Part Name               | QTY |
|-----|-------------|-------------------------|-----|
| 1   | 20228055011 | FRONT CONTROL PANEL     | 1   |
| 2   | 301110274   | KNOB                    | 6   |
| 3   | 303131638   | VESTA NAMEPLATE         | 1   |
| 4   | 20228055007 | DRIP PAN                | 1   |
| 6   | 302090047   | ADJUSTABLE LEG          | 4   |
| 7   | 302060688   | REAR GAS PIPE           | 3   |
| 8   | 302140025   | GAS PIPE CONNECTING NUT | 6   |
| 9   | 302140066   | HOOP                    | 6   |
| 10  | 302150077   | 42# NOZZLE - NG         | 6   |
|     | 302150076   | 53# NOZZLE - LPG        | 6   |
| 11  | 302220147   | REGULATOR               | 1   |
| 13  | 302140169   | NOZZLE CONNECTOR        | 3   |
| 14  | 302250146   | BURNER GRATE            | 6   |
| 15  | 20128054004 | BURNER ASSEMBLY         | 6   |
| 16  | 20128054006 | REAR PILOT ASSEMBLY     | 3   |
| 17  | 20128054005 | FRONT PILOT ASSEMBLY    | 3   |
| 18  | 20128055003 | GAS INLET PIPE ASSEMBLY | 1   |
| 19  | 302140170   | VALVE ADAPTER           | 3   |