

# *CATALOG OF REPLACEMENT PARTS*

## **Gas Convection Oven**

KCO-1

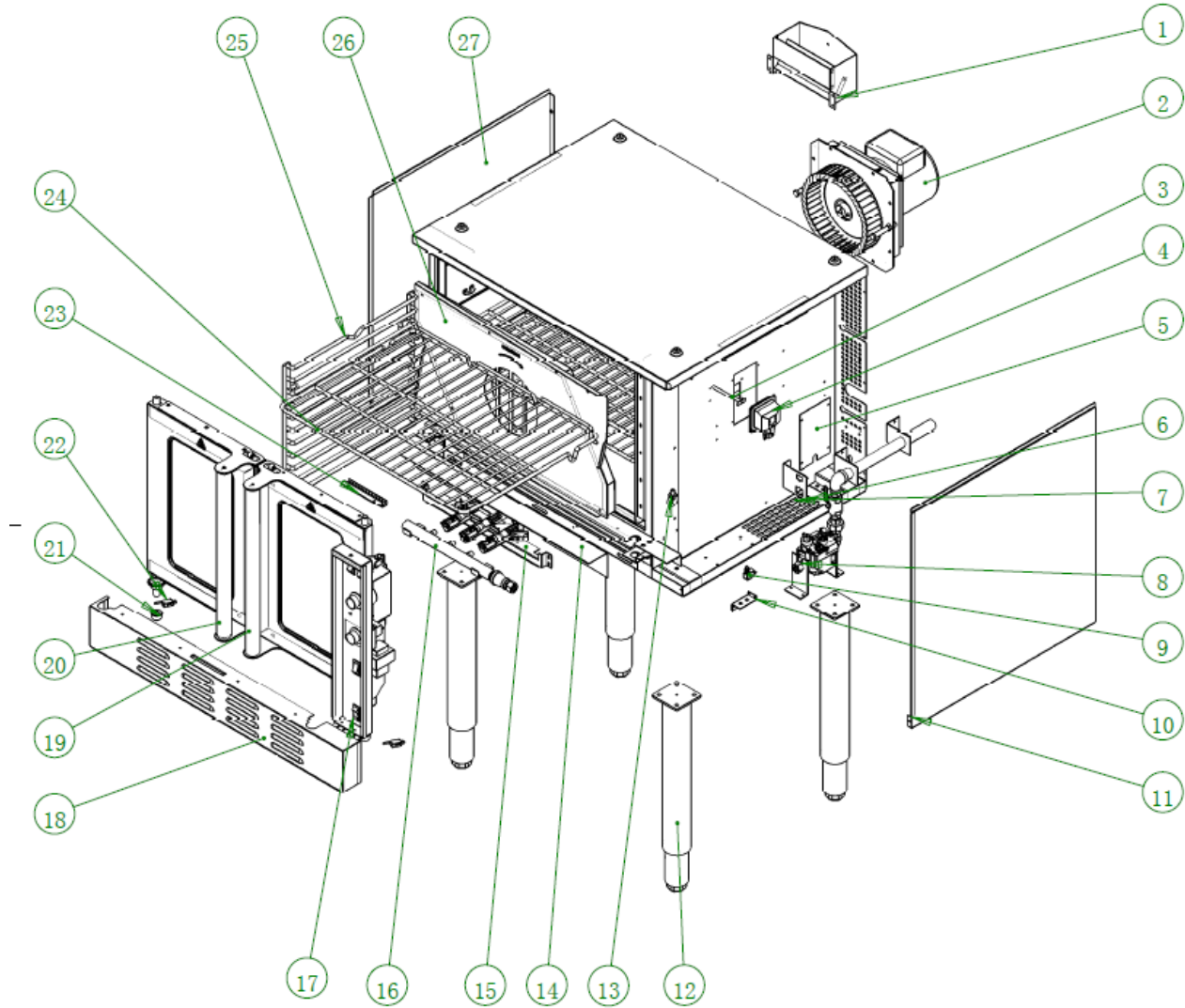


**For additional information on KINTERA or to locate an authorized parts  
and service provider in your area.**

## TABLE OF CONTENTS

KCO-1 Main Body Exploded view.....	3
Exploded view of components.....	3
Component's part number listing.....	4
KCO-1 Housing assembly .....	5
Exploded view of components.....	5
Component's part number listing.....	6
KCO-1 Gas Manifold assembly .....	7
Exploded view of components.....	7
Component's part number listing.....	8
KCO-1 Burner assembly.....	9
Exploded view of components.....	9
Component's part number listing.....	10
KCO-1 Door assembly.....	11
Exploded view of components.....	11
Component's part number listing.....	12
KCO-1 Control Panel assembly.....	13
Exploded view of components.....	13
Component's part number listing.....	14
KCO-1 Motor assembly .....	15
Exploded view of components.....	15
Component's part number listing.....	16
KCO-1 Gas Valve Components.....	17
Exploded view of components.....	17
Component's part number listing.....	18

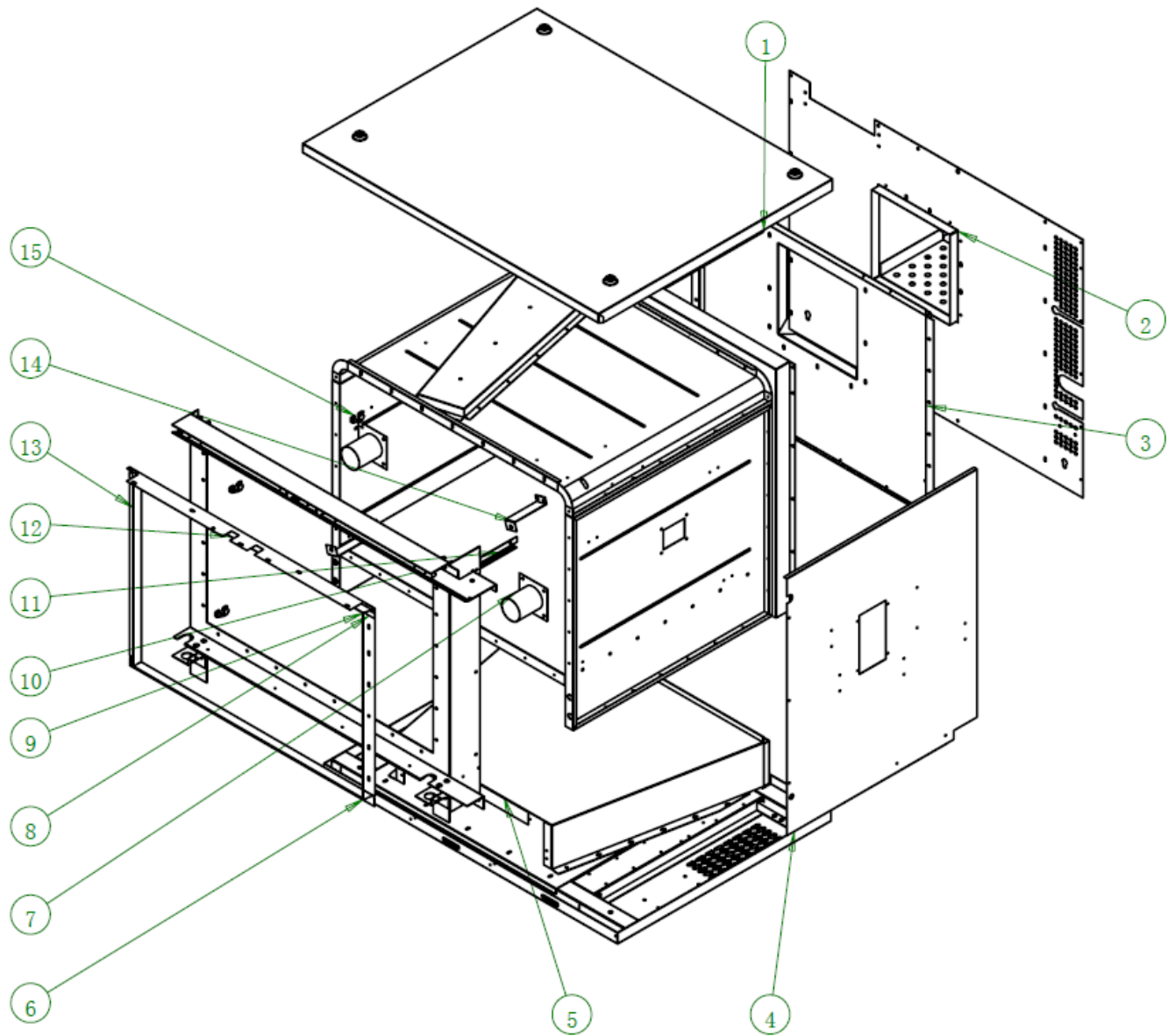
# KCO-1 Main Body Exploded View



## *KCO-1 Main Body Part List*

No.	Part Code	Part Name	QTY
1	20165002032	Chimney	1
2	20165002057	MOTOR INSTALLATIOIN ASSEMBLY	1
3	302170069	Thermostat Probe	1
4	301130151	LAMP	1
5	20265002032	Cover plate	1
6	20265002081	CABLE CLIP FIXED PLATE	1
7	20165002055	HOUSING ASSEMBLY	1
8	n/a	Gas Valve assembly	1
9	301080021	Micro switch	1
10	20265002083	FIXED PLATE (TRAVEL SWITCH)	1
11	20265002122	SIDE PANEL (RIGHT)	1
12	302090159	Furnace foot	4
13	302210918	Butterfly screw	1
14	20265002080	Front cover	1
15	20165002019	Burner assembly	1
16	302180512	Gas Manifold assembly	1
17	20165002008	Control panel assembly	1
18	20265002127	LOWER FRONT COVER PLATE	1
19	20165002011	DOOR ASSEMBLY (RIGHT)	1
20	20165002014	DOOR ASSEMBLY (LEFT)	1
21	302201928	COPPER BUSH	4
22	301080177	Micro switch	2
23	20228051023	FIXED PLATE (SENSOR)	1
24	302110578	RACK	3
25	302110772	RACK HOLDER	2
26	20165002009	Hot air chamber assembly	1
27	20265002077	SIDE PANEL (LEFT)	1

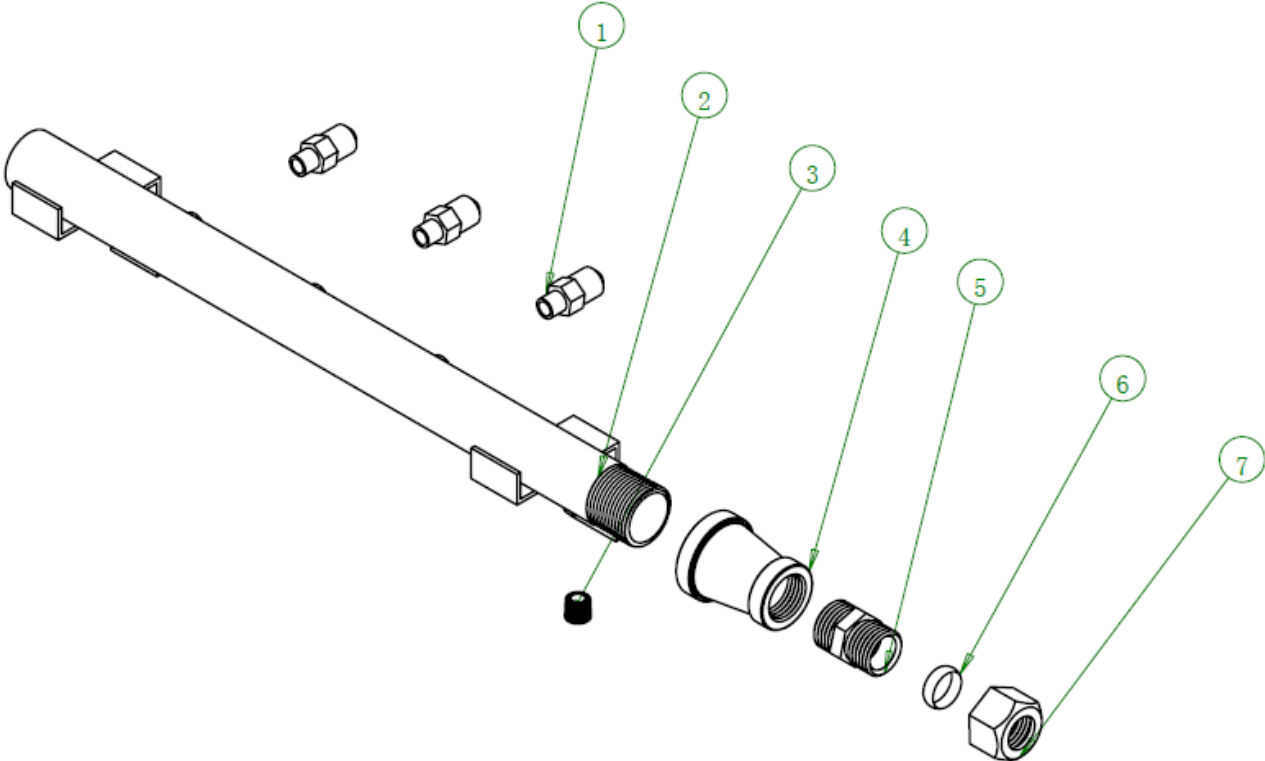
# KCO-1 Housing assembly



## *Housing assembly Part List*

No.	Part Code	Part Name	QTY
1	20165002006	Top cover assembly	1
2	20165002056	Rear plate assembly	1
3	20265002033	Hot air duct cover plate	1
4	20265002031	COTTON SEALING PLATE	1
5	20165002002	Base assembly	1
6	314430018	STEEL ROD (BOTTOM)	1
7	20165002005	Air outlet assembly	2
8	314430025	STEEL ROD (TOP-1)	1
9	314430019	STEEL ROD (RIGHT)	1
10	20165002004	Front frame assembly	1
11	20228051023	FIXED PLATE (SENSOR)	1
12	314430017	STEEL ROD (TOP-2)	1
13	314430020	STEEL ROD (LEFT)	1
14	314430001	CHAMBER ASSEMBLY	1
15	20265002039	FIXER (RACK HOLDER)	8

# KCO-1 Gas Mainfold assembly

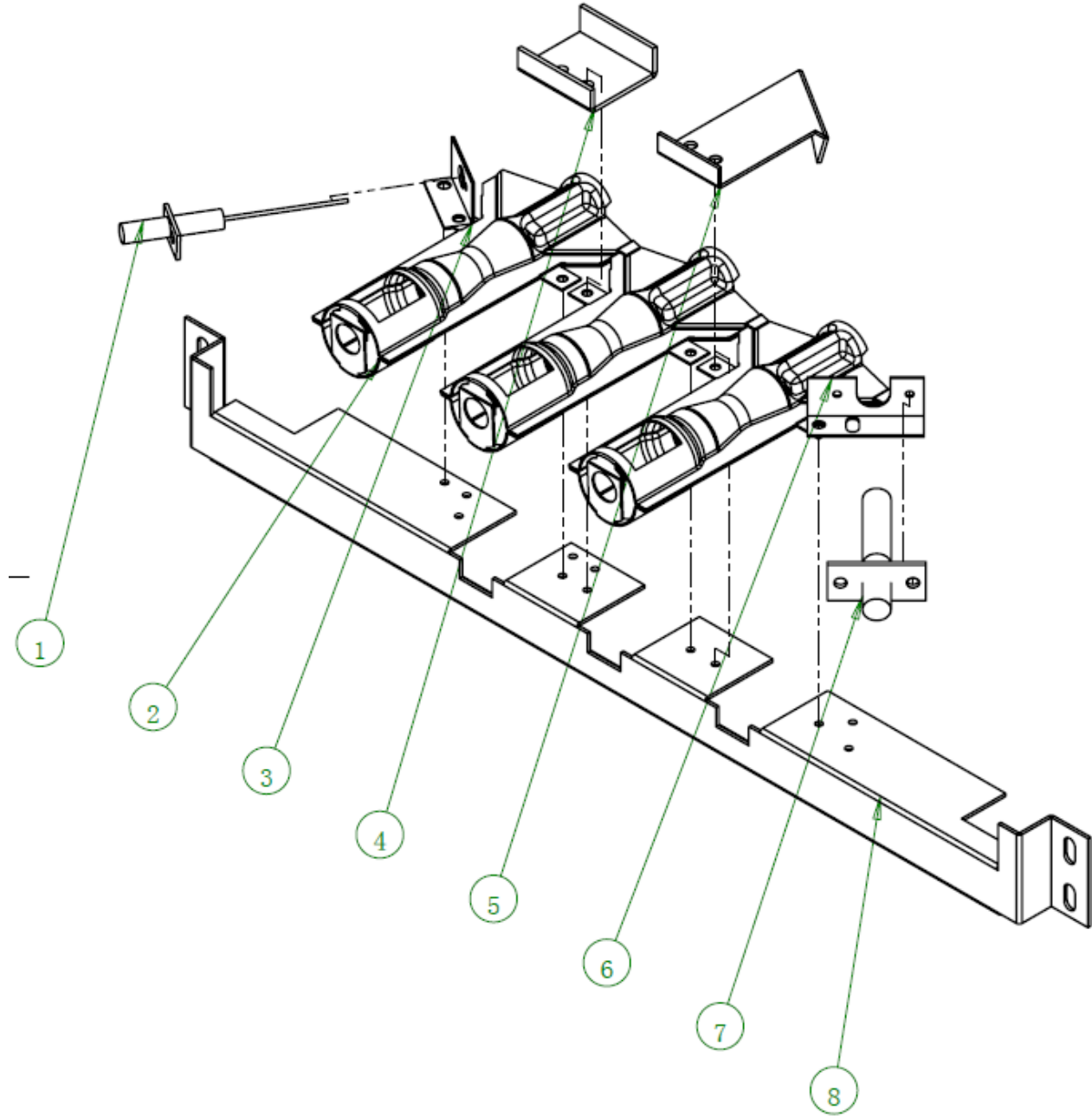


# *KCO-1 Gas Mainfold assembly Part List*

No.	Part Code	Part Name	QTY
1	302150212	Burner nozzle-NG	3
	302150169	Burner nozzle-LPG	3
2	302180512	Gas inlet pipe	1
3	302200620	Screw	1
4	302060028	NPT1/2-NPT3/4 adapter	1
5	302140077	M20-G1/2 adapter	1
6	302140079	¢ 15 Clamps	1
7	302140080	M20 nut	1



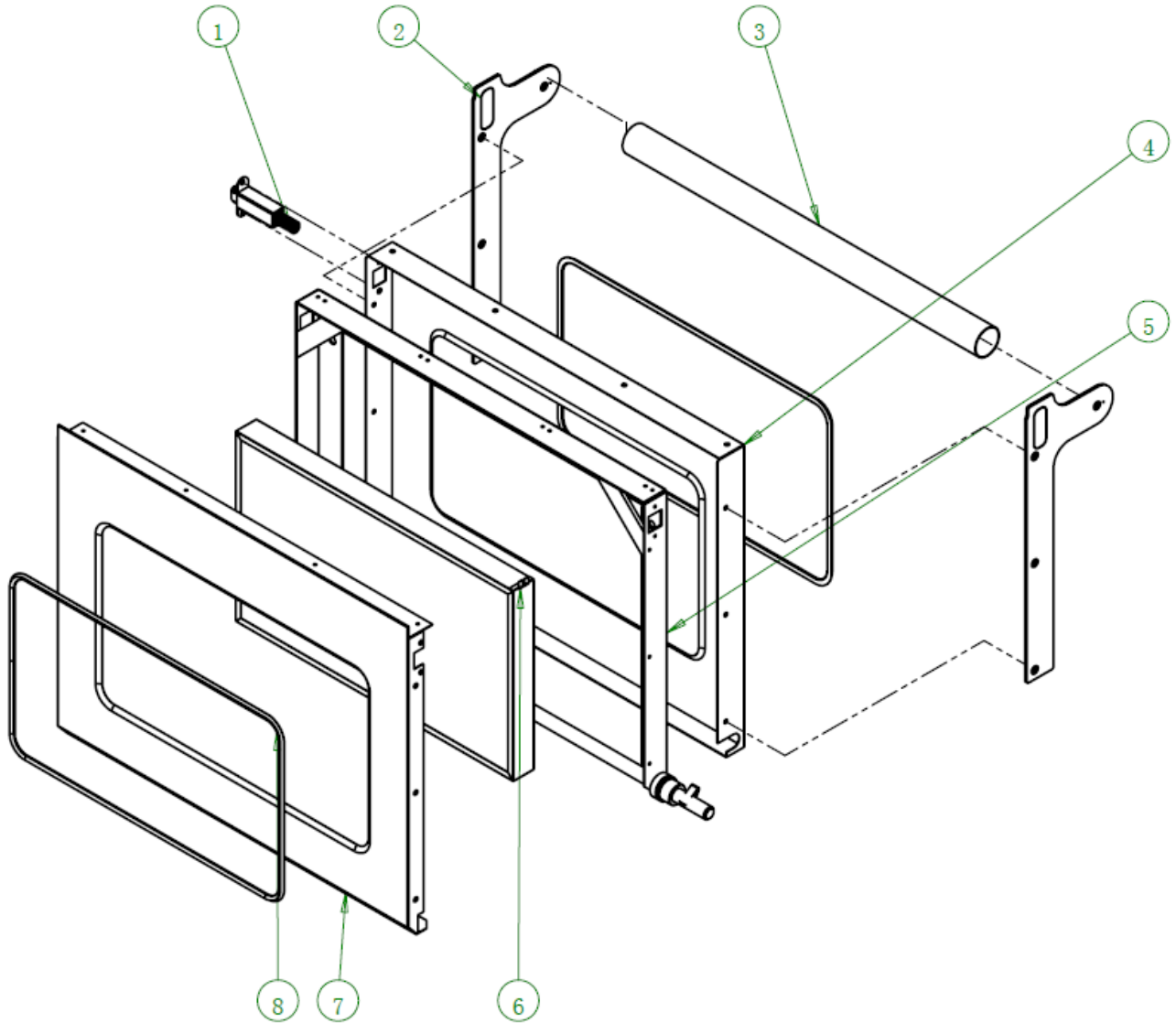
# KCO-1 Burner assembly



## *KCO-1 Burner assembly Part List*

No.	Part Code	Part Name	QTY
1	302220181	Feedback pin	1
2	20265002071	Burner assembly	3
3	314430035	Flame probe fixing plate	1
4	20265002072	Burner mounting plate	1
5	20265002068	Fire transfer plate	1
6	20265002069	Igniter fixing plate	1
7	302220130	Igniter -120V	1
8	20265002067	Burner support plate	1

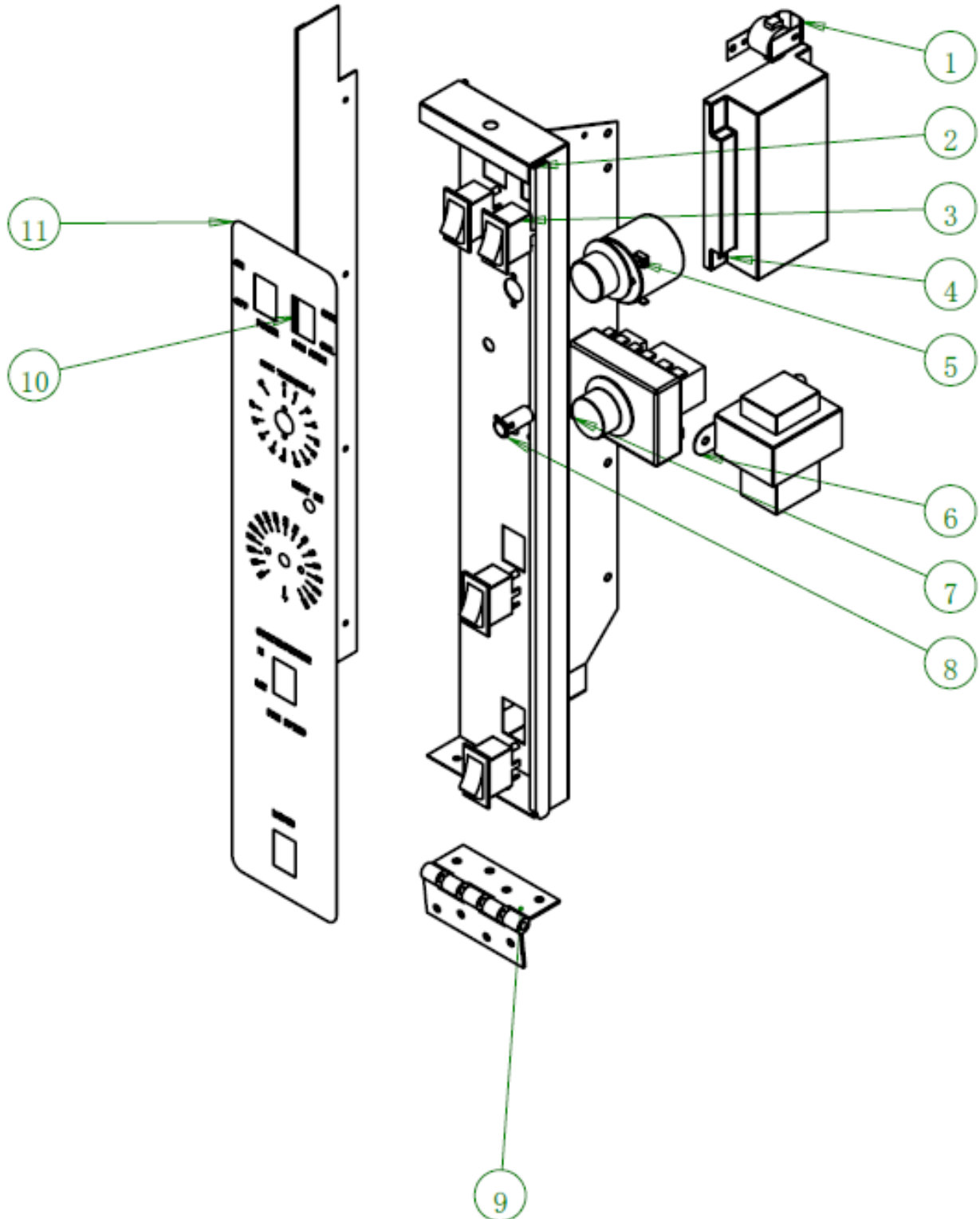
# KCO-1 Door assembly



## *KCO-1 Door assembly Part List*

No.	Part Code	Part Name	QTY
1	20165002016	Door catch Assy. (ball style)	1
2	20265002092 (Left) 20265002093 (Right)	Left door handle fixing plate (straight)	2
3	314430023	door handle (round tube)	1
4	20265002046	exterior plate of right door	1
5	20165002012	right door frame assembly	1
6	20165002013	door glass frame assembly	1
7	20265002053	interior plate of right door	1
8	302201976	sealing gasket of door glass frame	2

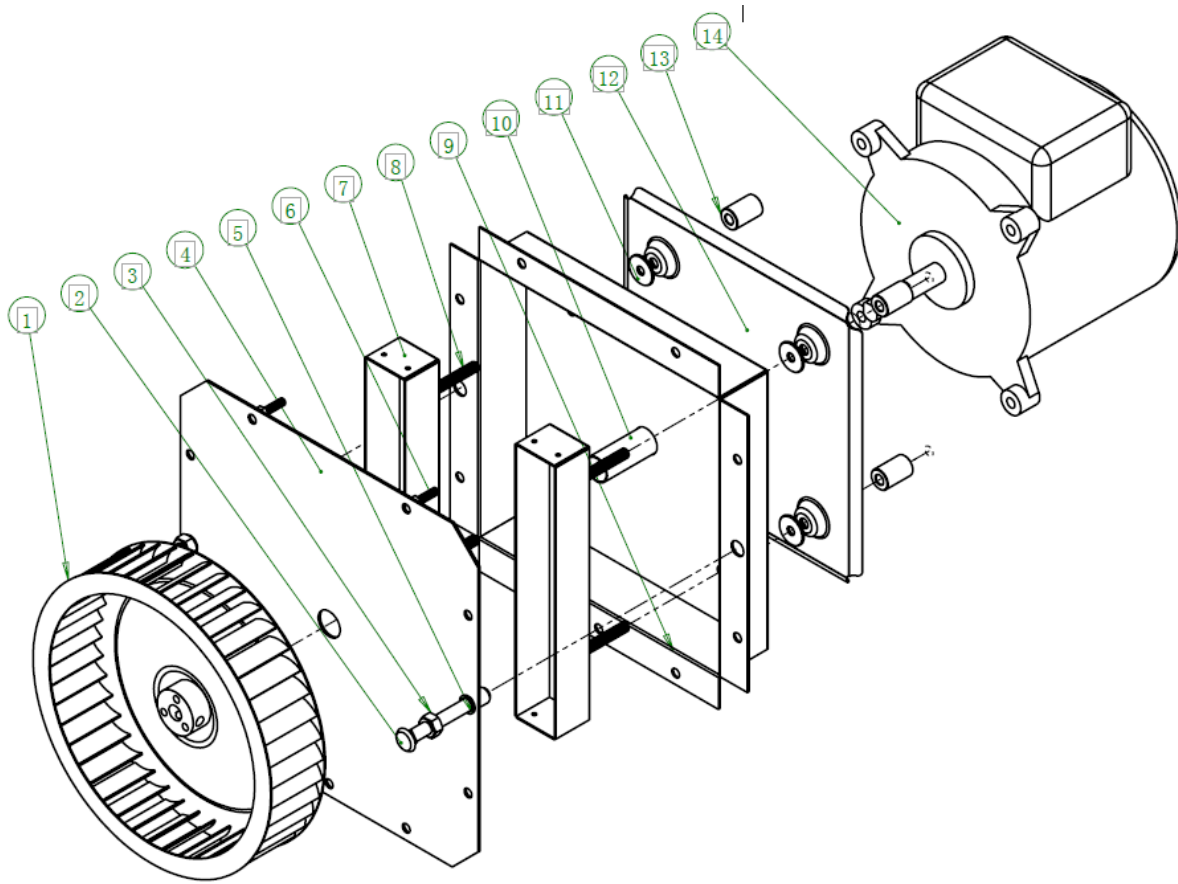
# KCO-1 Control panel assembly



## *KCO-1 Control panel assembly Part List*

No.	Part Code	Part Name	QTY
1	301100086	Buzzer	1
2	20265002040	Control panel	1
3	301080172	Water-proof switch	4
4	301150304	Ignition controller -24V	1
5	301120028	Timer -60mins	1
6	301100149	Voltage changer	1
7	301030208	Thermostat	1
8	301130140	working indicator	1
9	302190015	door hinge	1
10	20265002041	side plate of control panel	1
11	303124340	Panel sticker	1

# KCO-1 Motor assembly

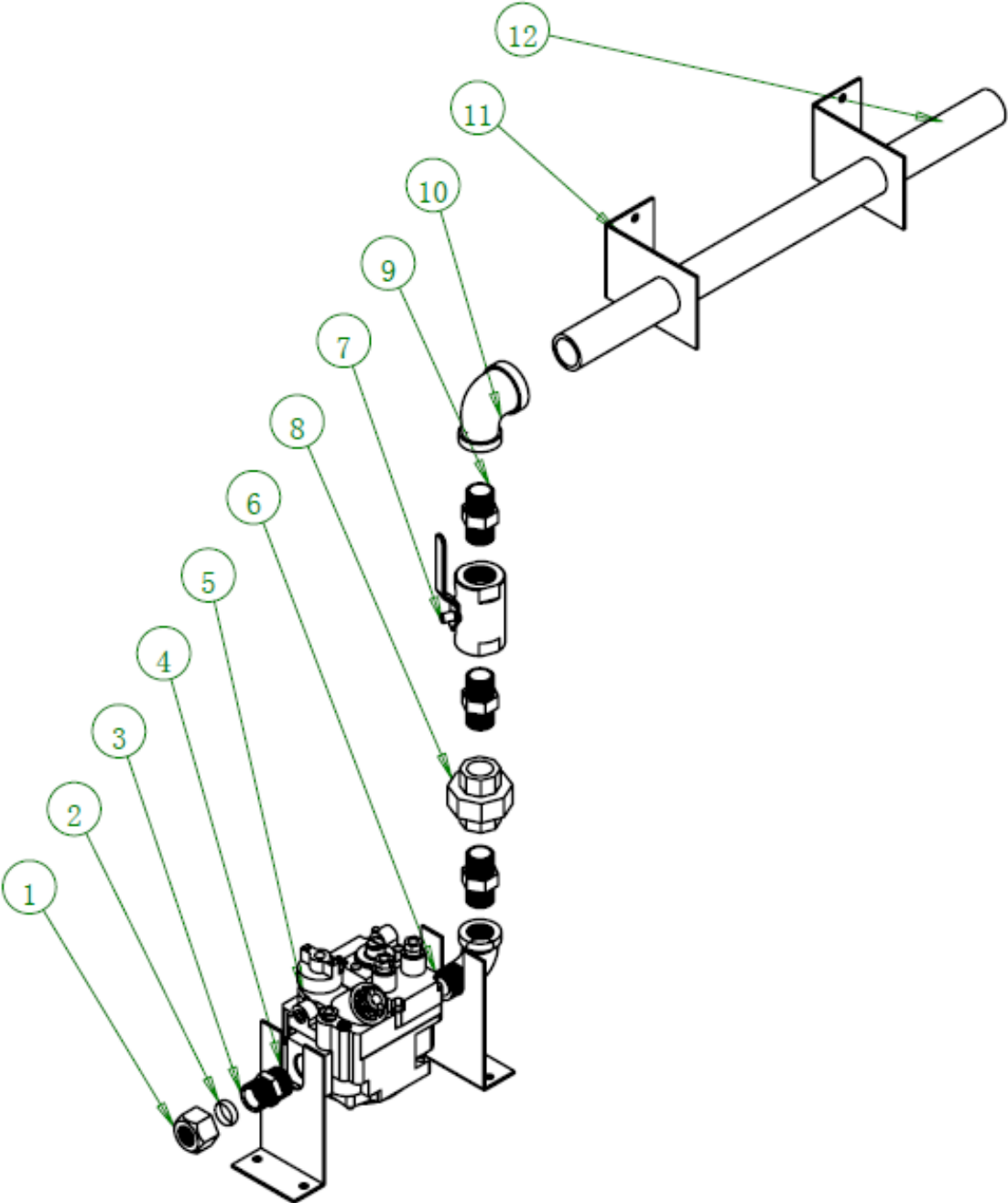


## *KCO-1 Motor assembly Part List*

No.	Part Code	Part Name	QTY
1	301010263	Wheel - Blower	1
2	302214237	Screw bolt	2
3	302213140	M10 nut	2
4	20265002066	Motor heat baffle plate -1	1
5	302213204	M10 rivet nut	2
6	302212429	M6*20 bolts	2
7	20265002105	Reinforcing plate	2
8	302212455	M8*50 bolts	4
9	20265002065	Motor heat baffle plate -2	1
10	20265002106	Motor cotton bushing	1
11	302201881	Insulation gasket	4
12	20265002102	Motor outer heat shield	1
13	302202328	Contour column	4
14	301010264B	Motor HP0.5/0.14 115-120V/60Hz	1



# KCO-1 Gas Valve assembly



# *KCO-1 Gas Valve assembly Part List*

No.	Part Code	Part Name	QTY
1	302140080	M20 nut	1
2	302140079	Clamps	1
3	302140077	M20-G1/2 adapter	1
4	20265002085	Valve retaining plate	2
5	302220098	Gas safety valve- LPG	1
	302220079	Gas safety valve- NG	1
6	302060152	NPT1/2 elbow connection-1	1
7	302050076	Ball valve	1
8	302060046	NPT1/2 adapter-1	1
9	302060040	NPT1/2 adapter-2	3
10	302060151	NPT1/2 elbow connection-2	1
11	20265002084	Gas inlet pipe fixation plate	2
12	302180511	Gas inlet pipe	1