



# KINTERA™

## ECONOMY WORK TABLE - 2" BACKSPLASH - S/S

---

### STANDARD FEATURES

- **Material:** 18 Gauge 400 Series Stainless Steel
- **Backsplash:** 2" (Turn Up)
- **Undershelf:** Galvanized Steel
- **Legs:** 1 5/8" Galvanized Steel
- **Feet:** Polymer Bullet Feet (Adjustable)
- **NSF Certified:** Yes

### OPTIONS

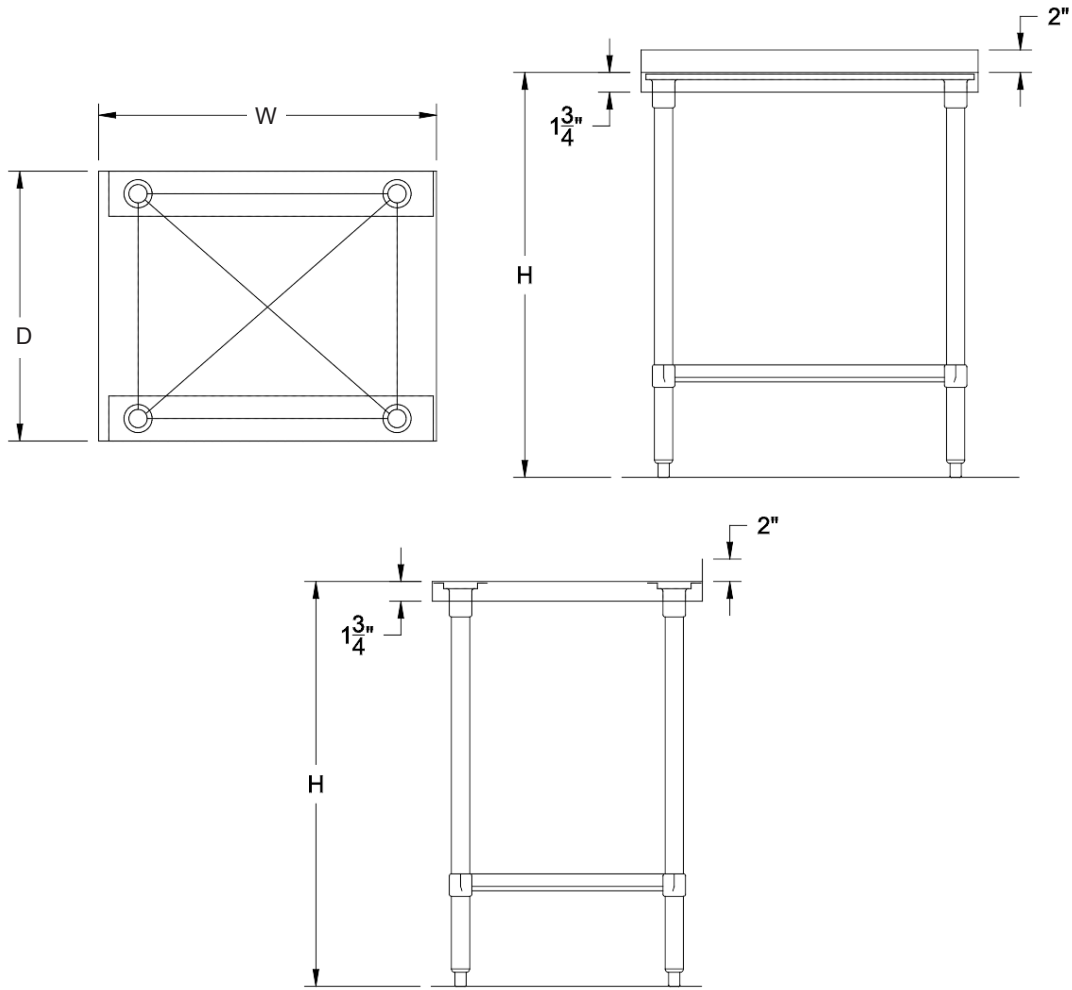
- Casters
- Drawers
- Table Mounted Shelves



**KEWT2424-2**



# KINTERA™



Model	Product ID	Overall Size				
		W	D	H	Weight	Backsplash
<b>KEWT2424-2</b>	946625	24"	24"	36"	38 lbs	2"
<b>KEWT2430-2</b>	946628	30"	24"	36"	42 lbs	2"
<b>KEWT2436-2</b>	946631	36"	24"	36"	48 lbs	2"
<b>KEWT2448-2</b>	946634	48"	24"	36"	60 lbs	2"
<b>KEWT2460-2</b>	946637	60"	24"	36"	70 lbs	2"
<b>KEWT2472-2</b>	946640	72"	24"	36"	80 lbs	2"
<b>KEWT2484-2</b>	946643	84"	24"	36"	98 lbs	2"
<b>KEWT2496-2</b>	946646	96"	24"	36"	108 lbs	2"
<b>KEWT3030-2</b>	946649	30"	30"	36"	47 lbs	2"
<b>KEWT3036-2</b>	946652	36"	30"	36"	54 lbs	2"
<b>KEWT3048-2</b>	946655	48"	30"	36"	66 lbs	2"
<b>KEWT3060-2</b>	946658	60"	30"	36"	79 lbs	2"
<b>KEWT3072-2</b>	946661	72"	30"	36"	89 lbs	2"
<b>KEWT3084-2</b>	946664	84"	30"	36"	109 lbs	2"
<b>KEWT3096-2</b>	946667	96"	30"	36"	123 lbs	2"