



KINTERA™

ECONOMY WORK TABLE - 2" BACKSPLASH - S/S

STANDARD FEATURES

- **Material:** 18 Gauge 400 Series Stainless Steel
- **Backsplash:** 2" (Turn Up)
- **Undershelf:** Galvanized Steel
- **Legs:** 1 5/8" Galvanized Steel
- **Feet:** Polymer Bullet Feet (Adjustable)
- **NSF Certified:** Yes

OPTIONS

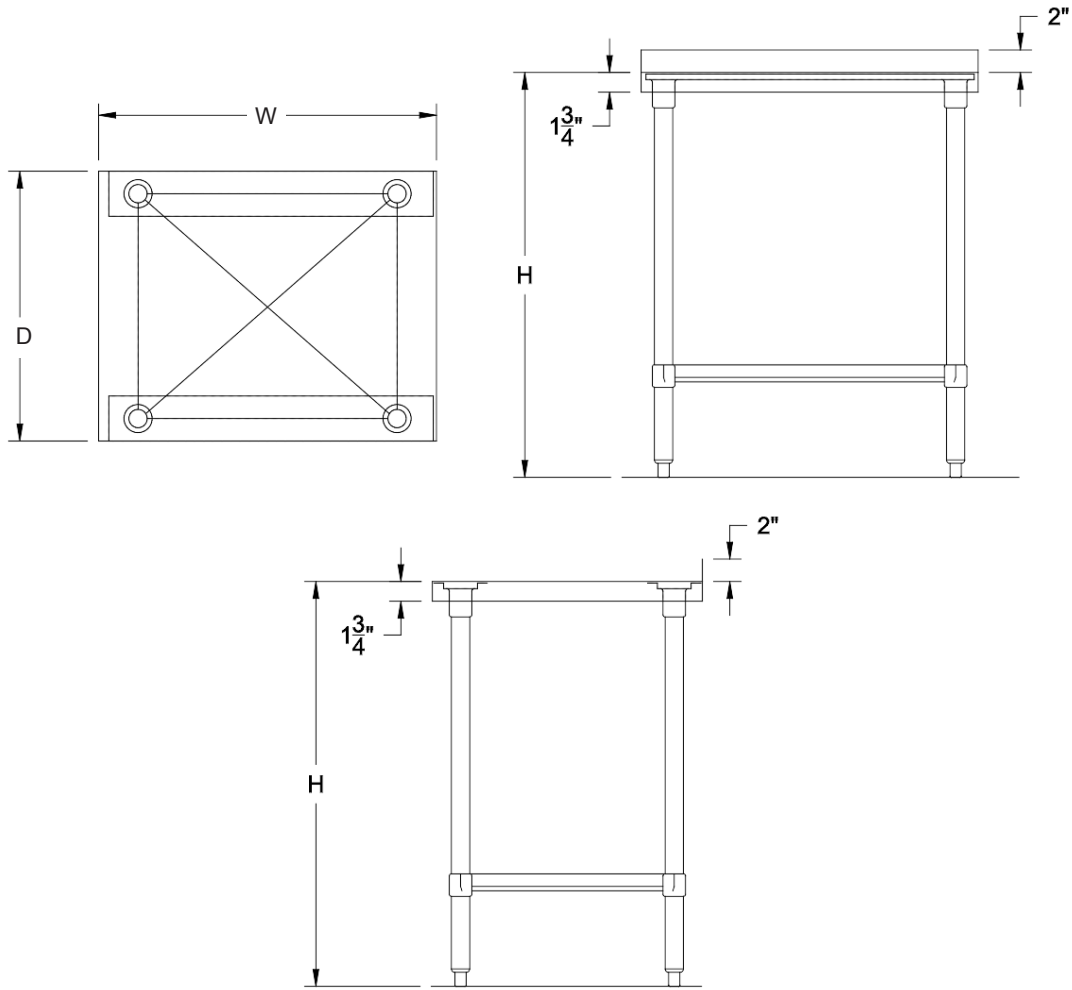
- Casters
- Drawers
- Table Mounted Shelves



KEWT2424-2



KINTERA™



Model	Product ID	Overall Size				
		W	D	H	Weight	Backsplash
KEWT2424-2	946625	24"	24"	36"	38 lbs	2"
KEWT2430-2	946628	30"	24"	36"	42 lbs	2"
KEWT2436-2	946631	36"	24"	36"	48 lbs	2"
KEWT2448-2	946634	48"	24"	36"	60 lbs	2"
KEWT2460-2	946637	60"	24"	36"	70 lbs	2"
KEWT2472-2	946640	72"	24"	36"	80 lbs	2"
KEWT2484-2	946643	84"	24"	36"	98 lbs	2"
KEWT2496-2	946646	96"	24"	36"	108 lbs	2"
KEWT3030-2	946649	30"	30"	36"	47 lbs	2"
KEWT3036-2	946652	36"	30"	36"	54 lbs	2"
KEWT3048-2	946655	48"	30"	36"	66 lbs	2"
KEWT3060-2	946658	60"	30"	36"	79 lbs	2"
KEWT3072-2	946661	72"	30"	36"	89 lbs	2"
KEWT3084-2	946664	84"	30"	36"	109 lbs	2"
KEWT3096-2	946667	96"	30"	36"	123 lbs	2"

Kintera Customer Service: (833) KINTERA (546-8372)
 Kintera Warranty Service: (866) 909-2855

