



## ONE COMPARTMENT UTILITY SINK - S/S

### STANDARD FEATURES

- **Material:** 18 Gauge 300 Series Stainless Steel
- **Backsplash:** 9"H with 2" Return (Clip Down)
- **Edge:** Raised 1 1/2" Rolled Edge
- **Drainboards:** No
- **Legs:** 1 5/8" Galvanized Steel
- **Feet:** Polymer Bullet Feet (Adjustable)
- **Basket Drain:** 3 1/2" (Included)
- **Wall Clips:** Stainless Steel
- **NSF Certified:** Yes

### OPTIONS

- Pre-Rinse Units and Faucets
- Lever Drains
- Stainless Steel Legs and Bracing

### CONSTRUCTION

- **Top and Bowl:** 18 Gauge 300 Series Stainless Steel
- **Leg Sockets:** Stainless Steel
- **Legs:** 1 5/8" Galvanized Steel
- **Feet:** 1" Adjustable high impact polymer bullet style

### PLUMBING

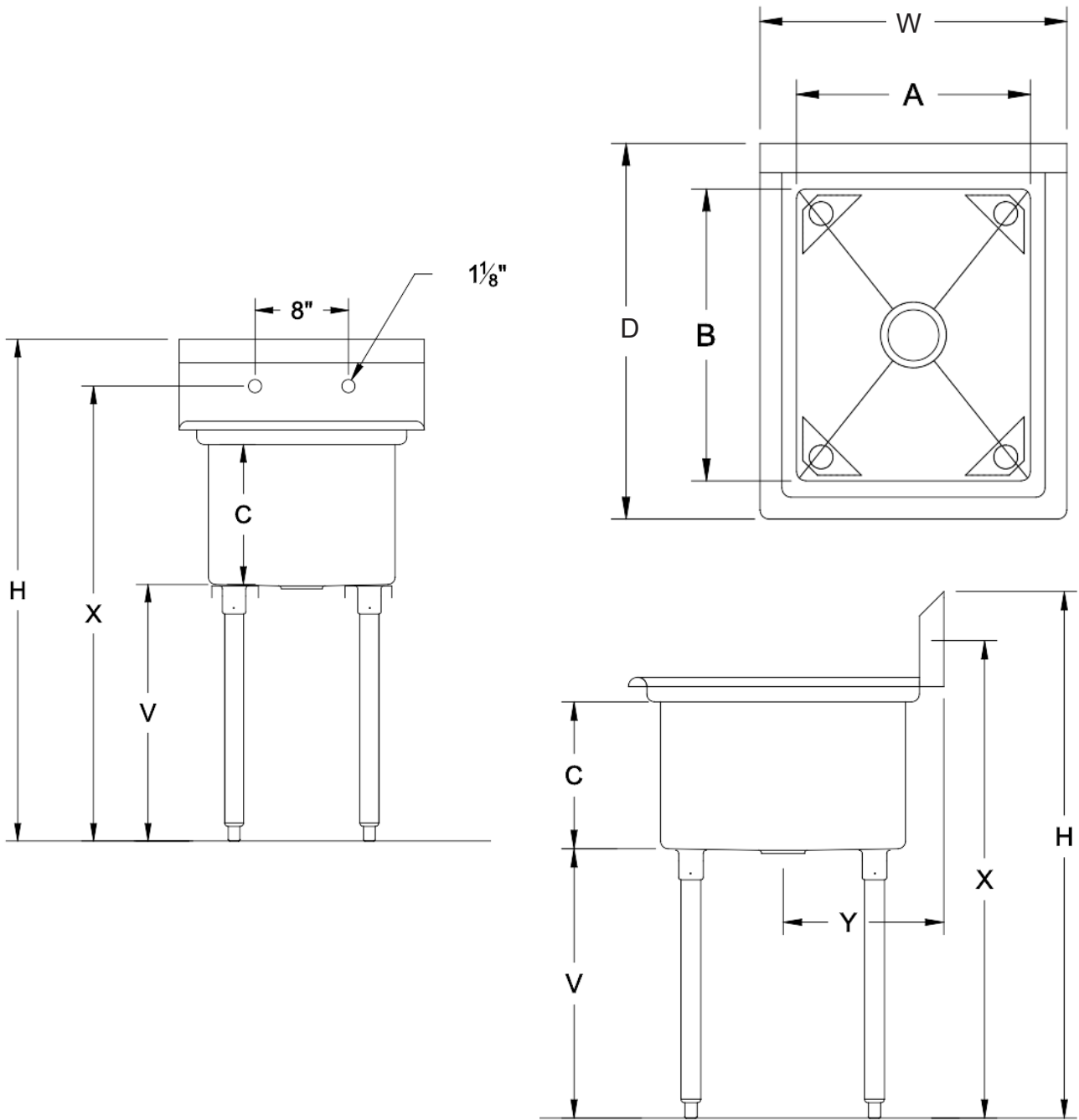
- 1 1/8" Splash Mounted Faucet Holes 8" Centers
- 3 1/2" Waste Drain



KES1C1818



# KINTERA™



| Model            | Product ID | Overall Size |     |     |        | Bowl Dimensions |     |     | Install Dimensions |     |       |
|------------------|------------|--------------|-----|-----|--------|-----------------|-----|-----|--------------------|-----|-------|
|                  |            | W            | D   | H   | Weight | W               | D   | H   | V                  | X   | Y     |
| <b>KES1C1818</b> | 946743     | 23"          | 24" | 43" | 38 lbs | 18"             | 18" | 12" | 22"                | 39" | 11.5" |
| <b>KES1C1824</b> | 946688     | 23"          | 30" | 43" | 44 lbs | 18"             | 24" | 12" | 22"                | 39" | 14.5" |

Kintera Customer Service: (833) KINTERA (546-8372)  
 Kintera Warranty Service: (866) 909-2855

