



ECONOMY WORK TABLE - NO BACKSPLASH - S/S

STANDARD FEATURES

- **Material:** 18 Gauge 400 Series Stainless Steel
- **Backsplash:** None
- **Undershelf:** Galvanized Steel
- **Legs:** 1 5/8" Galvanized Steel
- **Feet:** Polymer Bullet Feet (Adjustable)
- **NSF Certified:** Yes

OPTIONS

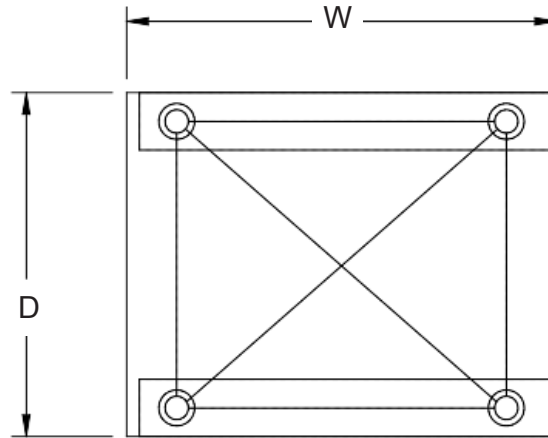
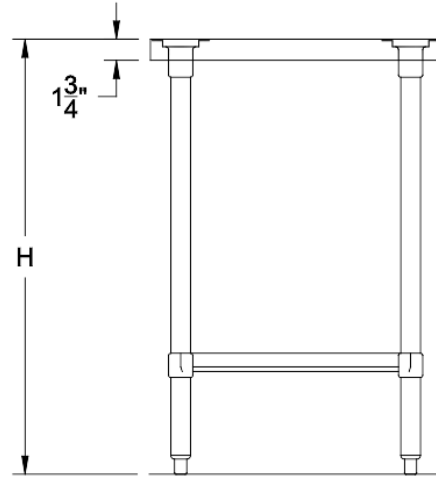
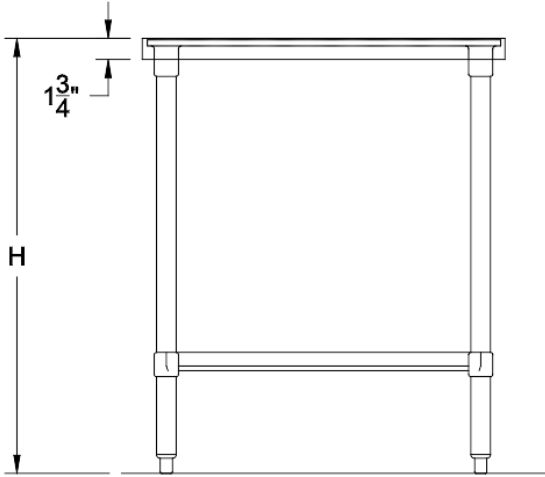
- Casters
- Drawers
- Table Mounted Shelves



KEWT2424



KINTERA™



| Model | Product ID | Overall Size | | | | |
|-----------------|------------|--------------|-----|-----|---------|-------------|
| | | D | W | H | Weight | Qty Per Box |
| KEWT2424 | 946624 | 24" | 24" | 36" | 38 lbs | 1 |
| KEWT2430 | 946627 | 30" | 24" | 36" | 42 lbs | 1 |
| KEWT2436 | 946630 | 36" | 24" | 36" | 48 lbs | 1 |
| KEWT2448 | 946633 | 48" | 24" | 36" | 60 lbs | 1 |
| KEWT2460 | 946636 | 60" | 24" | 36" | 70 lbs | 1 |
| KEWT2472 | 946639 | 72" | 24" | 36" | 80 lbs | 1 |
| KEWT2496 | 946645 | 96" | 24" | 36" | 108 lbs | 1 |
| KEWT3030 | 946648 | 30" | 30" | 36" | 47 lbs | 1 |
| KEWT3036 | 946651 | 36" | 30" | 36" | 54 lbs | 1 |
| KEWT3048 | 946654 | 48" | 30" | 36" | 66 lbs | 1 |
| KEWT3060 | 946657 | 60" | 30" | 36" | 79 lbs | 1 |
| KEWT3072 | 946660 | 72" | 30" | 36" | 89 lbs | 1 |
| KEWT3096 | 946666 | 96" | 30" | 36" | 123 lbs | 1 |

Kintera Customer Service: (833) KINTERA (546-8372)
Kintera Warranty Service: (866) 909-2855

