



KINTERA®

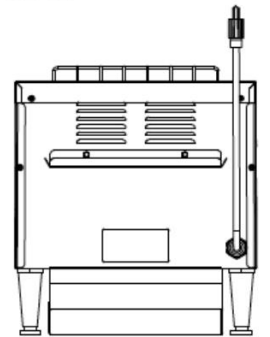
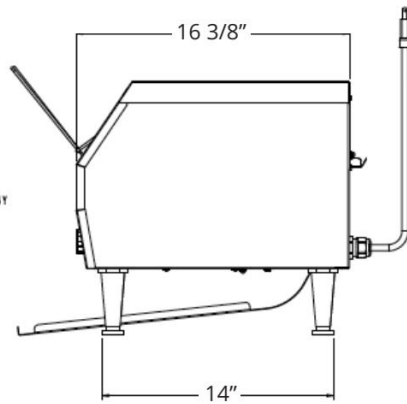
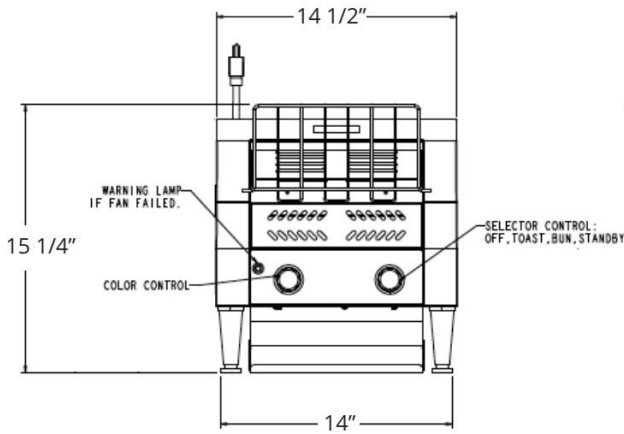
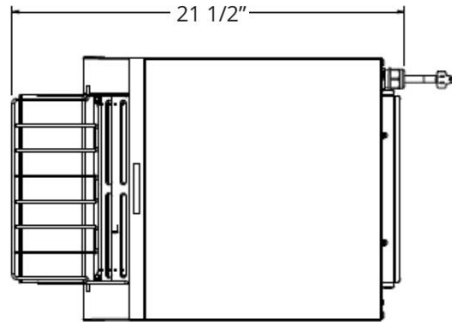
Conveyor Toaster

STANDARD FEATURES

- 4-position toast selector switch: off / toast / buns / stand-by mode
- 3 1/2" clearance to accommodate high profile bread products
- Easy-to-load rack
- Front or rear discharge
- Permanently lubricated 50/60 Hz motor
- V-shaped reflectors help capture and redirect heat
- Long lasting serpentine metal sheathed heating element
- 4" adjustable legs
- Pilot light that signals unit is in operation
- Discharge and crumb trays are removable for easy cleaning
- 6' cord and plug
- Plug Configuration: NEMA 6-15P
- 1 year parts and labor warranty



KCT10-208



NEMA 6-15P

Model	SLICES PER HOUR	Dimensions							Specifications		Electric Rating			
		Width	Overall Depth	Unit Depth	Height	Chamber Width	Footprint	Footprint Depth	Type	Capacity	Volts	Watts	Hertz	Amps
KCT10-208	450	14 1/2"	21 1/2"	16 3/8"	15 1/4"	10 3/8"	14"	14"	Bread	2 Slices	208	2300	50/60	11.0